

**HERCULES HOISTS LIMITED**



**Chain Pulley Block  
With Triple Spur Gear  
P Series**

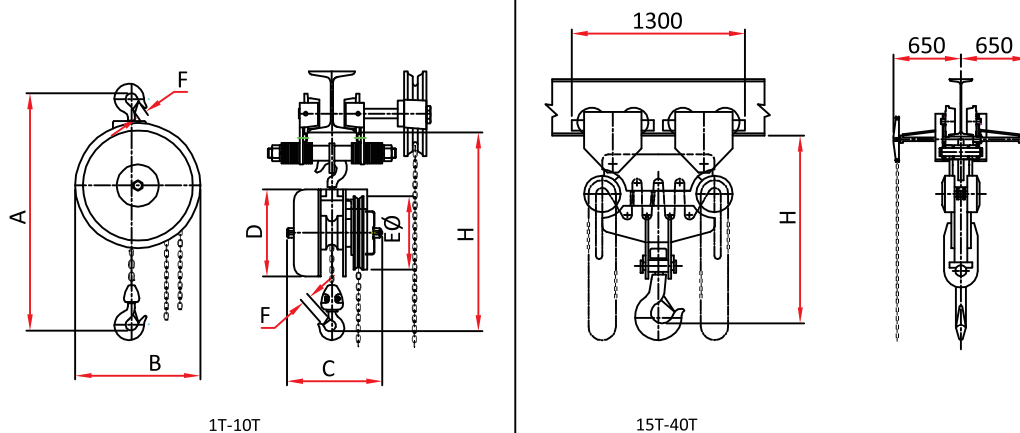
- ◆ Lifting
- ◆ Moving
- ◆ Storing



- ▶ **CE & ISI Certified Chain Pulley Blocks**  
Assured quality
- ▶ **Tested for 50% overload**  
Assured safety
- ▶ **Rugged German design, proven over 30 years**  
Assured reliability
- ▶ **Grade 80 load chain and Zinc plated hand chain**  
Longer chain life
- ▶ **Double ball bearing supported load wheel**  
Smooth operation
- ▶ **Precision machine case hardened alloy steel gears**  
Long life, noiseless operations
- ▶ **Fully pocketed, Spheroidal Graphite cast load chain wheel**  
Long life, safe and smooth running
- ▶ **Anti-corrosive power coated zinc plated parts**  
Superior aesthetics and rust protected

**Material Handling. Delivered.**

Redefining Material Handling. Since 1962.

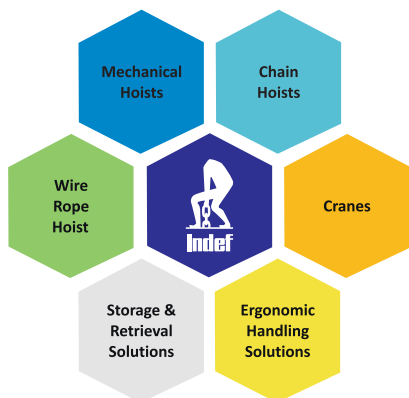


| CAPACITY(T)                                    | MT   | 1T  | 2T  | 3T  | 5T | 7.5T | 10T  | 15T  | 20T  | 25T  | 30T  | 40T  |
|--|------|-----|-----|-----|----|------|------|------|------|------|------|------|
| No. of falls                                   |      | 1   | 2   | 1   | 2  | 3    | 4    | 6    | 8    | 10   | 12   | 16   |
| Chain Size Dia.                                | mm   | 8   | 8   | 12  | 12 | 12   | 12   | 12   | 12   | 12   | 12   | 12   |
| Running pull on hand chain                     | Kgs. | 26  | 28  | 55  | 49 | 50   | 61   | 50X2 | 54X2 | 70X2 | 54X4 | 62X4 |
| Weight at 3 metre lift (approx) Hook Susp.     | Kgs. | 21  | 30  | 55  | 70 | 100  | 126  | 715  | 755  | 840  | 1000 | 1250 |
| Extra weight per additional meterlift (approx) | Kgs. | 2.9 | 4.3 | 4.8 | 8  | 11.2 | 14.4 | 22   | 28.5 | 37   | 40   | 57   |

| CAPACITY MT | A    | B   | C   | D   | E∅  | F   | H With Trolley | H With Thrust bearing in bottom block |
|-------------|------|-----|-----|-----|-----|-----|----------------|---------------------------------------|
| 1T          | 460  | 210 | 180 | 210 | 195 | 31  | 550            | 580                                   |
| 2T          | 560  | 240 | 180 | 210 | 195 | 37  | 665            | 760                                   |
| 3T          | 750  | 300 | 225 | 275 | 270 | 42  | 925            | 950                                   |
| 5T          | 810  | 320 | 225 | 275 | 270 | 51  | 950            | 1025                                  |
| 7.5T        | 910  | 455 | 225 | 275 | 270 | 75  | 1025           | 1150                                  |
| 10T         | 990  | 515 | 225 | 275 | 270 | 75  | 1120           | 1240                                  |
| 15T         | 1790 | -   | -   | -   | -   | 95  | 1300           | 1300                                  |
| 20T         | 1790 | -   | -   | -   | -   | 95  | 1300           | 1300                                  |
| 25T         | 2000 | -   | -   | -   | -   | 95  | 1350           | 1350                                  |
| 30T         | 2070 | -   | -   | -   | -   | 155 | 1700           | 1700                                  |
| 40T         | 2200 | -   | -   | -   | -   | 168 | 1700           | 1700                                  |

Data tolerance ±10%

Note :- Due to continuous development and improvement specification listed above may be changed without notice.



### HERCULES HOISTS LIMITED

43/2B, Savroli-Kharpada Road, Dhamani, Khalapur - 410 202, Maharashtra, India  
**Regional offices: Chennai | Kolkata | New Delhi | Pune**  
 Tel :+91 (0)2192 662511 | Fax: +91 (0) 2192 662504  
[www.indef.com](http://www.indef.com) | [enquire@indef.com](mailto:enquire@indef.com)