



PLUMMER BLOCKS

FOR BEARINGS WITH ADAPTER SLEEVE
LOCATING RING FELT STRIP





PLUMMER BLOCKS FOR BEARINGS WITH ADAPTER SLEEVE

Plummer Blocks

Series	Description	Series	Description
S	Horizontally Split Cast Iron Bearing Housings equipped with felt seals and suitable for grease lubrication.	SNH	Horizontally Split Cast Iron Bearing Housings equipped with Felt seals (suffix TC), V-ring seals (suffix TA), Double lip seals (suffix TG), Labyrinth seals (suffix TS) and suitable for grease / oil circulation lubrication.
SN	Horizontally Split Cast Iron Bearing Housings equipped with felt seals and suitable for grease lubrication.	SOFN	Oil lubricated Horizontally Split Cast Iron Bearing Housings equipped with end covers and labyrinth seals.
SSN	Horizontally Split Cast steel Bearing Housings equipped with felt seals and suitable for grease lubrication.	SBD / BND	Single piece Heavy Duty Cast Iron Bearing Housings equipped with end covers and labyrinth seals suitable for grease lubrication.
SNA	Horizontally Split Cast Iron Bearing Housings equipped with Felt seals (suffix TC), V-ring seals (suffix TA), Double lip seals (suffix TG), Labyrinth seals (suffix TS) or a comprising one V-ring seals and one end cover (suffix ATA) and suitable for grease/oil circulation lubrication.	SBDS	SBD type bearing housings made of Cast steel.
SSNA	SSNA Bearing Housings made of Cast steel.	LOE	Horizontally Split Cast Iron Bearing Housings equipped with labyrinth seals and suitable for high speed bearing applications and oil lubrication.
SSNAD	SNA type bearing housings made of Spheroidal Graphite Cast Iron.	SDJC	Horizontally Split Cast Iron Bearing Housings equipped with labyrinth seals and suitable for grease and oil lubrication.
SSNH	SNH type bearing housings made of Cast steel.	SSNHD	Horizontally Split Cast steel Bearing Housings equipped with felt seals and suitable for grease lubrication. SNH type Bearing Housings made of Spheroidal Graphite Cast Iron.
SD	Heavy Duty Horizontally Split Cast Iron Bearing Housings equipped with Labyrinth TS seals and suitable for oil /grease circulation lubrication. SD 5 & SD6 series are equipped with felt seals, suitable for grease lubrication.	SAF	Horizontally Split Cast Iron Bearing Housings equipped with Labyrinth seals and suitable for grease/oil lubrication.
SSD	SD type bearing housings made of Cast steel.	SAFS	SAF type Bearing Housing made of cast steel.



Brief Outline of Our Company

'MRC' – A trusted name for quality products.

We are one of the leading manufacturers of MRC Brand Plummer Blocks, Adapter Sleeves, Withdrawal Sleeves, K M Nuts, M B Washers and Locating Rings since 1963.

Over the years, we have established an excellent relationship with our valued customers all over India, as we have given our best attention even to precision items as per their specific requirements apart from timely execution.

Our products are highly approved and appreciated by our valuable clients.

Our company is capable of handling your requirements in bulk at very competitive prices with the assurance of best quality.

Introduction

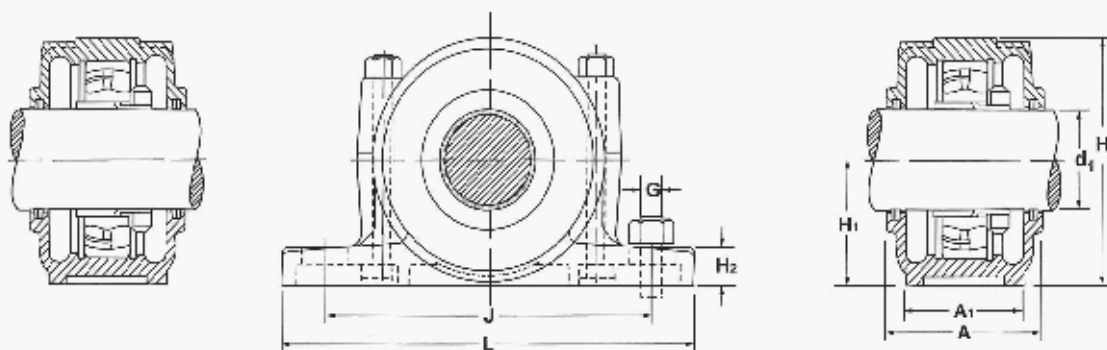
- 1) Plummer Block Housing fitted with Rolling Bearings are economic, replaceable Bearing units and require very little maintenance.
- 2) Most of the MRC Bearing Housing are horizontally splited, suitable for Bearings having Tapered bore or cylindrical bore. These Housings are made from High Grade Cast Iron conforming to IS : 210-1978 or Cast Steel conforming to IS : 1030.
- 3) The Cast Steel and Spheroidal Graphite Cast Iron Housing are generally selected for heavy loads and / or shock loads applications.
- 4) MRC Housing are dimensionally interchangeable suitable to Bearing of good Make, e.g. SKF, FAG, ZKL, NTN.
- 5) MRC Plummer Block Housings are available in S, SN, SNA, SNH, SNL, SD, SDJC, SAF, SDAF, SOFN, SBDS, BND, SDGC, TVN, PDN.
- 6) We also make Solid Base Housing for heavy load. And also make as per Drawing & Specification as per Customer requirement.
- 7) For any other special requirement, please contact us.

INDEX

Series Designation		Pages
S 500 and S 600	Plummer Blocks	02
S 3000 and SN 3100	Plummer Blocks	03
SN 500	Plummer Blocks	04 - 05
SN 600	Plummer Blocks	06 - 07
SNA 500	Plummer Blocks	08 - 09
SNA 600	Plummer Blocks	10 - 11
SNH 500 and SNH 600	Plummer Blocks	12 - 15
SNL 500	Plummer Blocks	16 - 17
SNL 600	Plummer Blocks	18 - 19
SN 200 and SN 300 SNA 200 and SNA 300 SNH 200 and SNH 300	Plummer Blocks	20
SSNHD and SSNAD (Holes for Attachment Bolts)	Plummer Blocks	21
SD 3100 TS	Plummer Blocks	22
SD 30 TS	Plummer Blocks	23
SD 500 and SD 600	Plummer Blocks	24
SD 3200 TS	Plummer Blocks	25
SD 3300	Plummer Blocks	26
SDJC 3100	Plummer Blocks	27
SAF 500 and SAF 600	Plummer Blocks	28 - 29
SAF 200 and SAF 300	Plummer Blocks	30 - 31
SOFN 200 and SOFN 300	Plummer Blocks	32
SOFN 500 and SOFN 600	Plummer Blocks	33
LOE 200 and LOE 300	Plummer Blocks	34
LOE 500 and LOE 600	Plummer Blocks	35
SBDS	Plummer Blocks	36 - 41
SDGC 2200, 2300, 3100 and 3200	Plummer Blocks	42 - 44
General Conversion Factors		45
Inch-Millimetre Conversion Table		46



PLUMMER BLOCKS FOR BEARINGS WITH ADAPTER SLEEVE LOCATING RING FELT STRIP



Series S 500

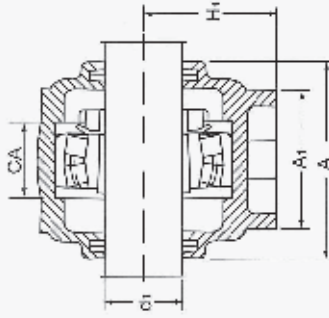
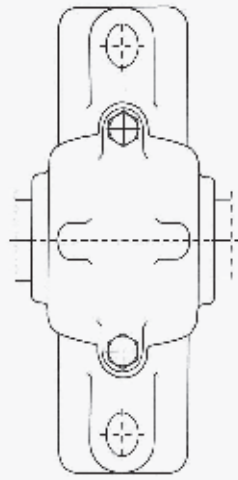
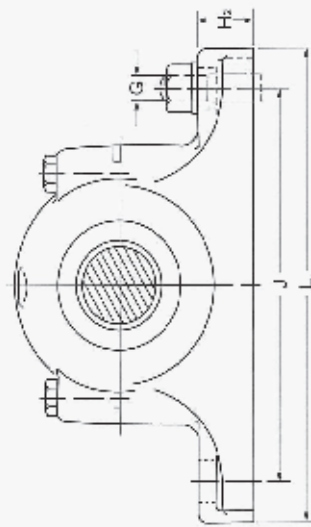
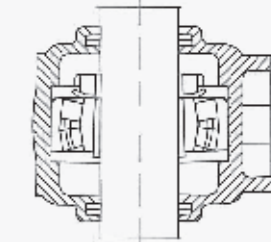
Housing Designation	Shaft Dia. d ₁	Dimensions									
		A	A ₁	H	H ₁	H ₂	J	L	G		
mm.	inch.	mm.									inch.
S 505	20	3/4	65	52	76	40	16	130	165	1/2	
S 506	25	1	76	54	90	50	19	150	190	1/2	
S 507	30	1 1/8	80	52	95	50	20	150	190	1/2	
S 508	35	1 1/4	86	60	115	60	25	170	205	1/2	
S 509	40	1 1/2	88	60	115	60	25	170	215	1/2	
S 510	45	1 3/4	88	60	115	60	25	170	215	1/2	
S 511	50	2	100	72	130	70	28	210	255	5/8	
S 512	55	2 1/8	105	75	135	70	30	210	275	5/8	
S 513	60	2 1/4	110	82	155	80	28	230	295	5/8	
S 514	60	2 3/8	112	82	157	80	28	235	287	5/8	
S 515	65	2 1/2	113	82	160	80	32	230	290	5/8	
S 516	70	2 3/4	125	90	180	95	32	260	330	3/4	
S 517	75	3	125	90	185	95	34	260	320	3/4	
S 518	80	3 1/8	140	105	200	100	35	290	363	3/4	
S 519	85	3 1/4	140	100	215	112	35	290	363	3/4	
S 520	90	3 1/2	157	114	220	112	37	320	405	3/4	
S 522	100	4	165	120	245	125	43	350	425	3/4	
S 524	110	4 1/4	185	120	270	140	45	350	410	3/8	
S 526	115	4 1/2	190	130	290	150	50	380	445	3/8	
S 528	125	5	205	150	305	150	50	420	500	1 1/8	
S 530	135	5 1/4	220	160	325	160	60	450	530	1 1/8	
S 532	140	5 1/2	235	160	345	170	50	470	550	1 1/8	
S 534	150	6	238	172	380	180	54	520	630	1 1/4	
S 536	160	6 1/2	244	194	405	190	60	560	690	1 1/4	
S 538	170	6 3/4	257	216	425	200	64	580	700	1 1/4	
S 540	180	7	262	205	445	210	60	610	740	1 1/4	
S 544	200	8	277	230	490	240	64	680	785	1 1/2	

Series S 600

Housing Designation	Shaft Dia. d ₁	Dimensions									
		A	A ₁	H	H ₁	H ₂	J	L	G		
mm.	inch.	mm.									inch.
S 605	20	3/4	80	55	95	50	16	150	196	1/2	
S 606	25	1	82	55	100	50	16	150	196	5/8	
S 607	30	1 1/8	90	62	115	60	20	170	215	1/2	
S 608	35	1 1/4	95	64	120	60	21	170	220	1/2	
S 609	40	1 1/2	105	75	130	70	28	210	270	3/8	
S 610	45	1 3/4	115	75	140	70	28	210	270	5/8	
S 611	50	2	120	85	155	80	28	230	290	5/8	
S 612	55	2 1/8	125	85	160	80	28	230	295	5/8	
S 613	60	2 1/4	130	94	185	95	28	260	335	3/4	
S 614	60	2 3/8	130	94	190	95	32	265	330	3/4	
S 615	65	2 1/2	140	104	197	100	35	290	360	3/4	
S 616	70	2 3/4	145	112	215	112	36	290	365	3/4	
S 617	75	3	155	112	218	112	36	320	405	3/4	
S 618	80	3 1/8	160	120	250	125	35	350	420	3/4	
S 619	85	3 1/4	170	120	250	125	35	350	420	3/4	
S 620	90	3 1/2	175	120	270	140	45	350	410	1/8	
S 622	100	4	190	130	295	150	50	390	450	3/8	
S 624	110	4 1/4	205	160	320	160	60	450	530	1 1/8	
S 626	115	4 1/2	215	160	345	170	60	470	550	1 1/8	
S 628	125	5	235	172	380	180	53	520	630	1 1/8	
S 630	135	5 1/4	245	194	405	190	60	565	690	1 1/8	
S 632	140	5 1/2	255	215	425	200	64	580	700	1 1/8	
S 634	150	6	265	230	445	210	60	610	740	1 1/4	
S 636	160	6 1/2	275	230	490	225	64	650	785	1 1/2	
S 638	170	6 3/4	285	220	520	240	70	680	830	1 1/2	
S 640	180	7	300	230	520	250	70	720	870	1 1/2	



**PLUMMER BLOCKS FOR BEARINGS WITH
ADAPTER SLEEVE LOCATING RING FELT STRIP**

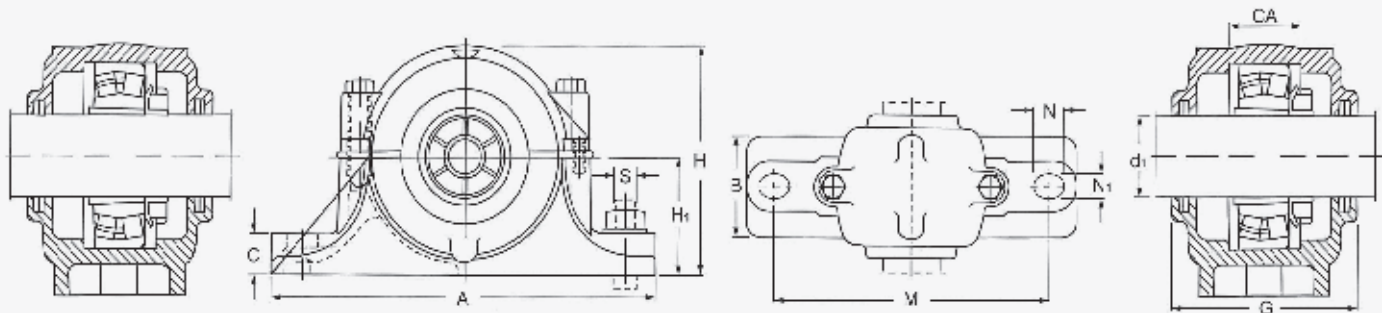


Series S 3000 and SN 3100

Shaft Dia.	Dimensions										Housing Designation	Bearing and Adapter Sleeve Designation	Locating ring (s) (to be ordered separately)		Felt strip (2 per housing)		Housing (Alternate) Designation
	d ₁ mm.	A	A ₁	H ₁	H ₂	J	L	CA	G	Designation			Designation	Qty.	Designation	Designation	
110	150	110	112	40	320	390	56	24	S 3024 K	23021 CK + H 3024	FRB 10/180	1	FS 480	SN 3024			
115	160	120	125	45	350	420	62	24	S 3026 K	23026 CK + H 3026	FRB 10/200	1	FS 480	SN 3026			
125	170	120	140	45	350	420	63	24	S 3028 K	23028 CK + H 3028	FRB 10/210	1	FS 510	SN 3028			
135	175	130	150	45	380	460	66	24	S 3030 K	23030 CK + H 3030	FRB 10/225	1	FS 510	SN 3030			
140	190	130	150	50	390	470	70	24	S 3032 K	23032 CK + H 3032	FRB 10/240	1	FS 680	SN 3032			
150	200	160	160	55	450	540	77	30	S 3034 K	23034 CK + H 3034	FRB 10/260	1	FS 680	SN 3034			
160	210	180	170	55	470	560	81	30	S 3036 K	23036 CK + H 3036	FRB 10/280	1	FS 680	SN 3036			
170	210	180	170	55	470	560	85	30	S 3038 K	23038 CK + H 3038	FRB 10/290	1	FS 680	SN 3038			
180	235	170	180	60	515	615	92	30	S 3040 K	23040 CK + H 3040	FRB 10/310	1	FS 680	SN 3040			
200	255	190	200	70	580	680	100	36	S 3044 K	23044 CK + H 3044	FRB 10/340	1	FS 950	SN 3044			
220	265	200	210	75	610	720	102	36	S 3048 K	23048 CK + H 3048	FRB 10/360	1	FS 950	SN 3048			
240	285	220	240	80	680	820	114	45	S 3052 K	23052 CK + H 3052	FRB 10/400	1	FS 1120	SN 3052			
260	295	230	250	80	720	860	116	45	S 3056 K	23056 CK + H 3056	FRB 10/420	1	FS 1120	SN 3056			
100	150	110	112	40	320	390	66	24	SN 3122	23122 CK + H 3122	FRB 10/180	1	FS 460	-			
110	160	120	125	45	350	420	72	24	SN 3124	23124 CK + H 3124	FRB 10/200	1	FS 460	-			
115	170	120	140	45	350	420	74	24	SN 3126	23126 CK + H 3126	FRB 10/210	1	FS 460	-			
125	175	130	150	45	380	460	78	24	SN 3128	23128 CK + H 3128	FRB 10/225	1	FS 510	-			
135	205	150	150	50	420	500	90	30	SN 3130	23130 CK + H 3130	FRB 10/250	1	FS 510	-			
140	220	160	160	60	450	530	96	30	SN 3132	23132 CK + H 3132	FRB 10/270	1	FS 680	-			



PLUMMER BLOCKS FOR BEARINGS WITH ADAPTER SLEEVE LOCATING RING FELT STRIP

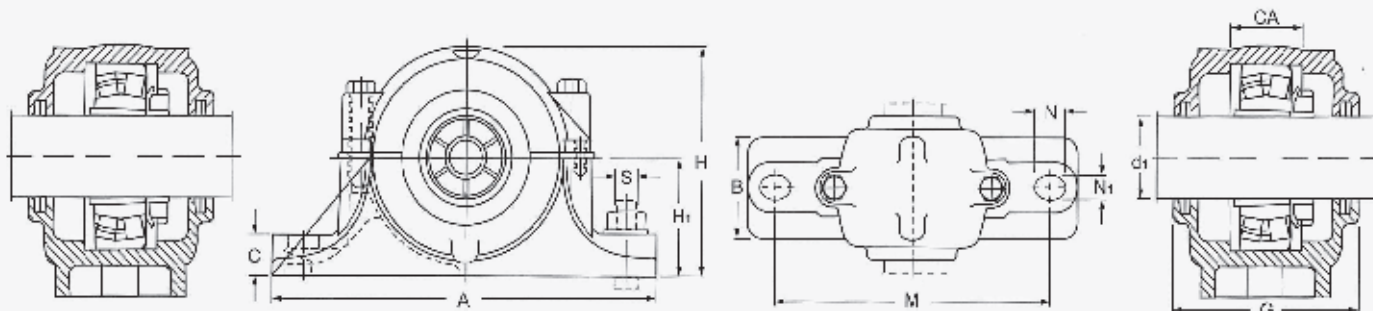


Series SN 500

Shaft Dia.	Housing Dimensions											Bearing & Adapter Sleeve	Locating Ring	No.	Felt Strip	No.		
	G	B	H	H ₁	C	M	A	N	N ₁	CA	S						Designation	Designation
d ₁ inch. mm.	Millimeter																	
3/4	20	67	46	75	40	19	130	165	20	15	25	12	SN 505	1205 K + H 205	FRB 5/52	2	FS 110	2
														2205 K + H 305	FRB 7/52	1		
1	25	77	52	90	50	22	150	185	20	15	30	12	SN 506	1206 K + H 206	FRB 7/62	2	FS 190	2
														2206 K + H 306	FRB 10/62	1		
1 1/8	30	82	52	95	50	22	150	185	20	15	33	12	SN 507	1207 K + H 207	FRB 8/72	2	FS 190	2
														2207 K + H 307	FRB 10/72	1		
1 1/4	35	85	60	110	60	25	170	205	20	15	34	12	SN 508	1208 K + H 208	FRB 7.5/80	2	FS 190	2
														2208 K + H 308	FRB 10/80	1		
														22208 K + H 308	FRB 10/80	1		
1 1/2	40	85	60	110	60	25	170	205	20	15	31	12	SN 509	1209 K + H 209	FRB 6/85	2	FS 190	2
														2209 K + H 309	FRB 8/85	1		
														22209 K + H 309	FRB 8/85	1		
1 3/4	45	90	60	115	60	25	170	205	20	15	33	12	SN 510	1210 K + H 210	FRB 6.5/90	2	FS 190	2
														2210 K + H 310	FRB 10/90	1		
														22210 K + H 310	FRB 10/90	1		
2	50	95	70	130	70	28	210	255	23	18	33	16	SN 511	1211 K + H 211	FRB 6/100	2	FS 260	2
														2211 K + H 311	FRB 8/100	1		
														22211 K + H 311	FRB 8/100	1		
2 1/8	55	105	70	135	70	30	210	255	23	18	38	16	SN 512	1212 K + H 212	FRB 8/110	2	FS 280	2
														2212 K + H 312	FRB 10/110	1		
														22212 K + H 312	FRB 10/110	1		
2 1/4	60	110	80	150	80	30	230	275	23	18	43	16	SN 513	1213 K + H 213	FRB 10/120	2	FS 230	2
														2213 K + H 313	FRB 12/120	1		
														22213 K + H 313	FRB 12/120	1		
2 1/2	65	115	80	155	80	30	230	280	23	18	41	16	SN 515	1215 K + H 215	FRB 8/130	2	FS 260	2
														2215 K + H 315	FRB 10/130	1		
														22215 K + H 315	FRB 10/130	1		
2 3/4	70	120	90	175	95	32	260	315	27	22	43	20	SN 516	1216 K + H 216	FRB 8.5/140	2	FS 330	2
														2216 K + H 316	FRB 10/140	1		
														22216 K + H 316	FRB 10/140	1		
3	75	125	90	185	95	32	260	320	27	22	46	20	SN 517	1217 K + H 217	FRB 9/150	2	FS 330	2
														2217 K + H 317	FRB 10/150	1		
														22217 K + H 317	FRB 10/150	1		



PLUMMER BLOCKS FOR BEARINGS WITH ADAPTER SLEEVE LOCATING RING FELT STRIP

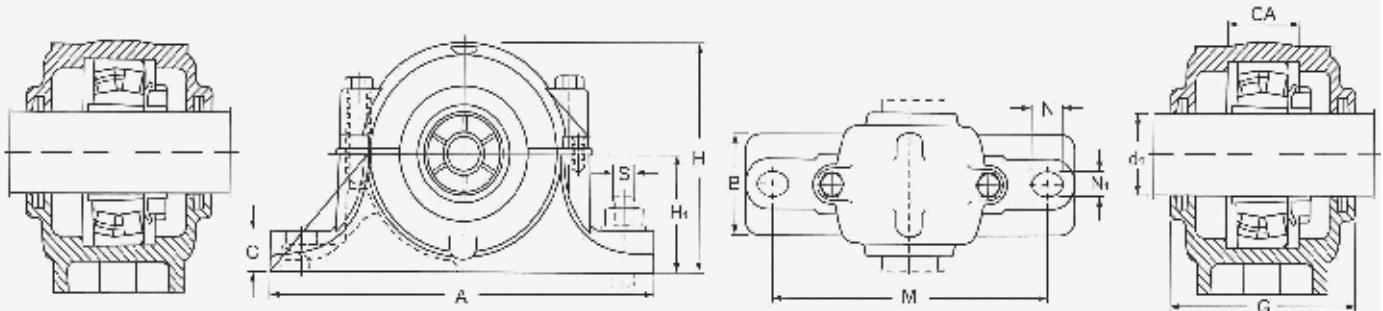


Series SN 500

Shaft Dia.	Housing Dimensions												Bearing & Adapter Sleeve	Locating Ring	No.	Felt Strip	No.	
	G	B	F	H ₁	C	M	A	N	N ₁	CA	S	Designation						Designation
d ₁ Inch. mm.	Millimeter												Designation	Designation	Designation			
3 1/8	80	145	100	195	100	35	290	345	27	22	62	20	SN 518	1218 K + H 218 2218 K + H 318 22218 K + H 318 23218 K + H 2318	FRB 16/160 FRB 11/160 FRB 11/160 FRB 10/160	2 2 2 1	FS 330	2
3 1/4	85	145	100	210	112	35	290	345	27	22	63	20	SN 519	1219 K + H 219 2219 K + H 319 22219 K + H 319	FRB 10.5/170 FRB 10/170 FRB 10/170	2 1 1	FS 330	2
3 1/2	90	160	110	215	112	40	320	380	32	26	70	24	SN 520	1220 K + H 220 2220 K + H 320 22220 K + H 320 23220 K + H 2320	FRB 18/180 FRB 12/180 FRB 12/180 FRB 10/180	2 2 2 1	FS 370	2
4	100	175	120	240	125	45	350	410	32	26	80	24	SN 522	1222 K + H 222 2222 K + H 322 22222 K + H 322 23222 K + H 2322	FRB 21/200 FRB 13.5/200 FRB 13.5/200 FRB 10/200	2 2 2 1	FS 460	2
4 1/4	110	185	120	270	140	45	350	410	32	26	86	24	SN 524	22224 K + H 3124 23224 K + H 2324	FRB 14/215 FRB 10/215	2 1	FS 460	2
4 1/2	115	190	130	290	150	50	380	445	35	28	90	24	SN 526	22226 k + H 3126 23226 k + H 2326	FRB 13/230 FRB 10/230	2 1	FS 460	2
5	125	205	150	305	150	50	420	500	42	35	98	30	SN 528	22228 K + H 3128 23228 K + H 2328	FRB 15/250 FRB 10/250	2 1	FS 510	2
5 1/2	135	220	160	325	160	60	450	530	42	35	106	30	SN 530	22230 K + H 3130 23230 K + H 2330	FRB 16.5/270 FRB 10/270	2 1	FS 510	2
5 1/2	140	235	160	345	170	60	470	550	42	35	114	30	SN 532	22232 K + H 3132 23232 K + H 2332	FRB 17/290 FRB 10/290	2 1	FS 680	2
6	150	235	170	367	180	65	520	620	42	35	120	30	SN 534	22234 K + H 3134 23234 K + H 2334	FRB 17/310 FRB 10/310	2 1	FS 680	2
6 1/2	160	245	180	385	190	65	560	650	42	35	122	30	SN 536	22236 K + H 3136 23236 K + H 2336	FRB 18/320 FRB 10/320	2 1	FS 680	2
6 3/4	170	255	190	405	200	70	580	680	50	42	130	36	SN 538	22238 K + H 3138 23238 K + H 2338	FRB 19/340 FRB 10/340	2 1	FS 680	2
7	180	285	200	430	210	75	610	720	70	48	138	36	SN 540	22240 K + H 3140 23240 K + H 2340	FRB 20/360 FRB 10/360	2 1	FS 680	2
8	200	285	220	480	240	80	680	820	70	48	154	45	SN 544	22244 K + H 3144 23244 K + H 2344	FRB 23/400 FRB 10/400	2 1	FS 950	2



PLUMMER BLOCKS FOR BEARINGS WITH ADAPTER SLEEVE LOCATING RING FELT STRIP



Series SN 600

Shaft Dia.	Housing Dimensions											Bearing & Adapter Sleeve	Locating Ring	No.	Felt Strip	No.		
	G	B	H	H ₁	C	M	A	N	N ₁	CA	S						Designation	Designation
d _s Inch. mm.																		
3/4	20	80	52	90	50	22	150	185	25	15	34	12	SN 605	1305 K + H 305	FRB 8.5/62	2	FS 110	2
														2305 K + H 2305	FRB 10/62	1		
1	25	82	52	95	50	22	150	185	22	17	37	12	SN 606	1306 K + H 306	FRB 9/72	2	FS 190	2
														2306 K + H 2306	FRB 10/72	1		
1 1/8	30	90	60	110	60	25	170	205	24	17	41	12	SN 607	1307 K + H 307	FRB 10/80	2	FS 190	2
														2307 K + H 2307	FRB 10/80	1		
1 1/4	35	95	60	115	60	25	170	205	24	18	43	12	SN 608	1308 K + H 308	FRB 10/90	2	FS 190	2
														2308 K + H 2308	FRB 10/90	1		
														21308 K + H 308	FRB 10/90	2		
														22308 K + H 2308	FRB 10/90	1		
1 1/2	40	105	70	130	70	28	210	255	32	20	46	13	SN 609	1309 K + H 309	FRB 10.5/100	2	FS 190	2
														2309 K + H 2309	FRB 10/100	1		
														21309 K + H 309	FRB 10.5/100	2		
														22309 K + H 2309	FRB 10/100	1		
1 3/4	45	115	70	135	70	30	210	255	32	23	50	16	SN 610	1310 K + H 310	FRB 11.5/110	2	FS 190	2
														2310 K + H 2310	FRB 10/110	1		
														21310 K + H 310	FRB 11.5/110	2		
														22310 K + H 2310	FRB 10/110	1		
2	50	120	80	150	80	30	230	275	32	23	53	16	SN 611	1311 K + H 311	FRB 12/120	2	FS 260	2
														2311 K + H 2311	FRB 10/120	1		
														21311 K + H 311	FRB 12/120	2		
														22311 K + H 2311	FRB 10/120	1		
2 1/8	55	125	80	155	80	30	230	280	35	23	56	16	SN 612	1312 K + H 312	FRB 12.5/130	2	FS 260	2
														2312 K + H 2312	FRB 10/130	1		
														21312 K + H 312	FRB 12.5/130	2		
														22312 K + H 2312	FRB 10/130	1		
2 1/4	60	130	90	175	95	32	260	315	36	23	58	20	SN 613	1313 K + H 313	FRB 12.5/140	2	FS 260	2
														2313 K + H 2313	FRB 10/140	1		
														21313 K + H 313	FRB 12.5/140	2		
														22313 K + H 2313	FRB 10/140	1		



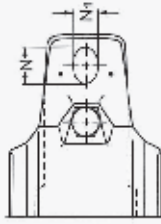
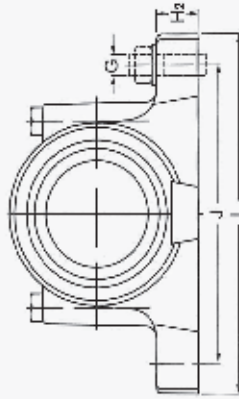
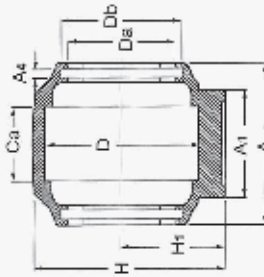
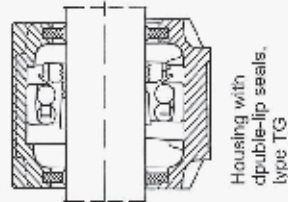
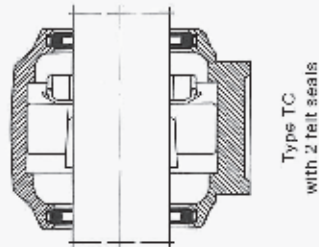
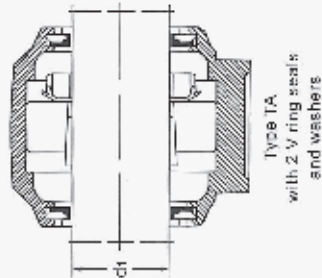
PLUMMER BLOCKS FOR BEARINGS WITH ADAPTER SLEEVE LOCATING RING FELT STRIP

Series SN 600

Shaft Dia.	Housing Dimensions												Designation	Bearing & Adapter Sleeve		Designation	No.	Felt Strip	No.
	G	B	H	H ₁	C	M	A	N	N ₁	CA	S	Designation		Designation					
d ₁ incht. mm.																			
2 ³ / ₈	60	130	90	185	95	32	260	320	27	22	51	20	SN 614	1314 K + H 314	FRB 13/150	2	FS 260	2	
														2314 K + H 2314	FRB 10/150	1			
														21314 K + H 314	FRB 13/150	2			
														22314 K + H 2314	FRB 10/150				
2 ¹ / ₂	65	140	100	195	100	35	290	345	43	23	55	20	SN 615	1315 K + H 315	FRB 14/160	2	FS 260	2	
														2315 K + H 2315	FRB 10/160	1			
														21315 K + H 315	FRB 14/160	2			
														22315 K + H 2315	FRB 10/160	1			
2 ³ / ₄	70	145	100	210	112	35	290	345	34	24	58	20	SN 616	1316 K + H 316	FRB 14.5/170	2	FS 330	2	
														2316 K + H 2316	FRB 10/170	1			
														21316 K + H 316	FRB 14.5/170	2			
														22316 K + H 2316	FRB 10/170	1			
3	75	155	110	215	112	40	320	360	43	27	70	24	SN 617	1317 K + H 317	FRB 14.5/180	2	FS 330	2	
														2317 K + H 2317	FRB 10/180	1			
														21317 K + H 317	FRB 14.5/180	2			
														22317 K + H 2317	FRB 10/180	1			
3 ¹ / ₈	80	160	110	220	112	40	320	380	43	28	74	24	SN 618	1318 K + H 318	FRB 15.5/190	2	FS 330	2	
														2318 K + H 2318	FRB 10/190	1			
														21318 K + H 318	FRB 15.5/190	2			
														22318 K + H 2318	FRB 10/190	1			
3 ¹ / ₄	85	170	120	240	125	45	350	410	43	28	77	24	SN 619	1319 K + H 319	FRB 16/200	2	FS 370	2	
														2319 K + H 2319	FRB 10/200	1			
														21319 K + H 319	FRB 16/200	2			
														22319 K + H 2319	FRB 10/200	1			
3 ¹ / ₂	90	175	120	270	140	45	350	410	43	33	83	24	SN 620	1320 K + H 320	FRB 18/215	2	FS 370	2	
														2320 K + H 2320	FRB 10/215	1			
														21320 K + H 320	FRB 18/215	2			
														22320 K + H 2320	FRB 10/215	1			
4	100	180	130	295	150	50	390	450	43	31	90	24	SN 622	2322 K + H 2322	FRB 10/240	1	FS 460	2	
														20322 K + H 322	FRB 20/240	2			
														21322 K + H 322	FRB 23/240	2			
														22322 K + H 2322	FRB 10/240	1			
4 ¹ / ₂	110	200	160	320	160	60	450	530	56	37	96	30	SN 624	20324 K + H 3124	FRB 20.5/260	2	FS 460	2	
														22324 K + H 2324	FRB 10/260	1			
4 ³ / ₈	115	210	160	340	170	60	470	550	60	37	103	30	SN 626	20326 K + H 3126	FRB 22.5/280	2	FS 460	2	
														22326 K + H 2326	FRB 10/280	1			
5	125	235	170	367	180	65	520	620	75	39	112	30	SN 628	20328 K + H 3128	FRB 25/300	2	FS 510	2	
														22328 K + H 2328	FRB 10/300	1			
5 ¹ / ₄	135	245	180	385	190	65	560	650	75	39	118	30	SN 630	20330 K + H 3130	FRB 26.5/320	2	FS 510	2	
														22330 K + H 2330	FRB 10/320	1			
5 ¹ / ₂	140	255	190	405	200	70	580	680	75	39	124	30	SN 632	20332 K + H 3132	FRB 28/340	2	FS 680	2	
														22332 K + H 2332	FRB 10/340	1			



**PLUMMER BLOCKS FOR BEARINGS WITH
ADAPTER SLEEVE LOCATING RING FELT STRIP**



Series SNA 500

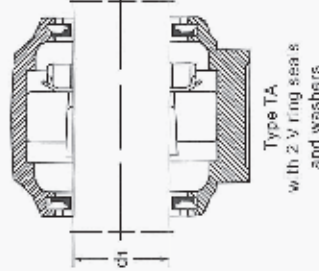
Shaft Dia.	Housing Dimensions																Designation Type			Bearing and Adapter Sleeve		Locating Ring		
	G_1 inch	A	A ₁	A ₄	Ca	D	Da	Db	H	H ₁	H ₂	J	L	M	N	N ₁	G	TA	TC	TB	Designation	Designation	Designation	No.
$\frac{3}{4}$	20	67	46	5	25	52	31	39.5	71	40	19	130	165	20	13	10	SNA 505 TA	SNA 505 TC	SNA 505 TG	1205 K + H 205	1205 K + H 205	FRB 5/52	2	
1	25	77	52	5	32	62	36.5	44.5	87	50	22	150	185	22	13	10	SNA 506 TA	SNA 506 TC	SNA 506 TG	2205 K + H 305	2205 K + H 305	FRB 7/52	1	
1 $\frac{1}{8}$	30	82	52	5	34	72	46.5	54.5	92	50	22	150	185	20	13	10	SNA 507 TA	SNA 507 TC	SNA 507 TG	1206 K + H 206	1206 K + H 206	FRB 6/62	2	
1 $\frac{1}{4}$	35	85	60	5	39	80	51.5	59.5	106	60	25	170	205	20	15	12	SNA 508 TA	SNA 508 TC	SNA 508 TG	2206 K + H 306	2206 K + H 306	FRB 6/62	2	
1 $\frac{1}{2}$	40	85	60	5	30	85	56.5	64.5	109	60	25	170	205	20	15	12	SNA 509 TA	SNA 509 TC	SNA 509 TG	1207 K + H 207	1207 K + H 207	FRB 8.5/72	2	
1 $\frac{3}{4}$	45	90	60	5	41	90	62	70.5	112	60	25	170	205	20	15	12	SNA 510 TA	SNA 510 TC	SNA 510 TG	2207 K + H 307	2207 K + H 307	FRB 5.5/72	2	
2	50	95	70	5	44	100	67	75.5	127	70	28	210	255	23	18	16	SNA 511 TA	SNA 511 TC	SNA 511 TG	1208 K + H 208	1208 K + H 208	FRB 10.5/80	2	
2 $\frac{1}{8}$	55	105	70	5	48	110	72	80.5	133	70	30	210	255	23	18	16	SNA 512 TA	SNA 512 TC	SNA 512 TG	2208 K + H 308	2208 K + H 308	FRB 8/80	2	
																					22208 K + H 308	22208 K + H 308	FRB 8/80	2
																					1209 K + H 209	1209 K + H 209	FRB 5.5/85	2
																					2209 K + H 309	2209 K + H 309	FRB 7/85	1
																					22209 K + H 309	22209 K + H 309	FRB 7/85	1
																					1210 K + H 210	1210 K + H 210	FRB 10.5/90	2
																					2210 K + H 310	2210 K + H 310	FRB 9/90	2
																					22210 K + H 310	22210 K + H 310	FRB 9/90	2
																					1211 K + H 211	1211 K + H 211	FRB 11.5/100	2
																					2211 K + H 311	2211 K + H 311	FRB 9.5/100	2
																					22211 K + H 311	22211 K + H 311	FRB 9.5/100	2
																					1212 K + H 212	1212 K + H 212	FRB 13/110	2
																					2212 K + H 312	2212 K + H 312	FRB 10/110	2
																					22212 K + H 312	22212 K + H 312	FRB 10/110	2

Series SNA 500

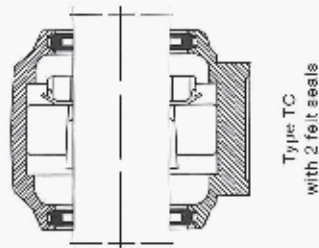
Shaft Dia.		Housing Dimensions													Designation Type				Bearing and Adapter Sleeve		Locating Ring			
d_1 inch	M/M.	A	A_1	A_2	ϵ_a	D	D_a	D_b	H	H_1	H_2	J	L	N	N_1	G	TA	TC	TG	Designation	Designation	Designation	No.	
2 1/8	60	110	80	5	51	120	77	85.5	148	80	30	230	275	24	18	16	SNA 513 TA	SNA 513 TC	SNA 513 TG	1213 K + H 213	FRB 14/120	FRB 14/120	2	
																					2213 K + H 313	FRB 10/120	FRB 10/120	2
																					22213 K + H 313	FRB 10/120	FRB 10/120	2
2 1/2	65	115	80	5	56	130	87	95.5	154	80	30	230	280	26	18	16	SNA 515 TA	SNA 515 TC	SNA 515 TG	1215 K + H 215	FRB 15.5/130	FRB 15.5/130	2	
																					2215 K + H 315	FRB 12.5/130	FRB 12.5/130	2
																					22215 K + H 315	FRB 12.5/130	FRB 12.5/130	2
2 3/4	70	120	90	5	58	140	92.5	101	175	95	32	260	315	29	22	20	SNA 516 TA	SNA 516 TC	SNA 516 TG	1216 K + H 216	FRB 18/140	FRB 18/140	2	
																					2216 K + H 316	FRB 12.5/140	FRB 12.5/140	2
																					22216 K + H 316	FRB 12.5/140	FRB 12.5/140	2
3	75	125	90	5	61	150	97.5	106	181	95	32	260	320	30	22	20	SNA 517 TA	SNA 517 TC	SNA 517 TG	1217 K + H 217	FRB 16.5/150	FRB 16.5/150	2	
																					2217 K + H 317	FRB 12.5/150	FRB 12.5/150	2
																					22217 K + H 317	FRB 12.5/150	FRB 12.5/150	2
3 1/8	80	140	100	5	65	160	102.5	111	192	100	35	290	345	27	22	20	SNA 518 TA	SNA 518 TC	SNA 518 TG	1218 K + H 218	FRB 17.5/160	FRB 17.5/160	2	
																					2218 K + H 318	FRB 12.5/160	FRB 12.5/160	2
																					22218 K + H 318	FRB 12.5/160	FRB 12.5/160	2
3 1/4	85	145	100	6	60	170	131	141	209	112	35	290	345	27	22	20	SNA 519 TA	SNA 519 TC	SNA 519 TG	1219 K + H 219	FRB 18/170	FRB 18/170	2	
																					2219 K + H 319	FRB 12.5/170	FRB 12.5/170	2
																					22219 K + H 319	FRB 12.5/170	FRB 12.5/170	2
3 1/2	90	160	110	6	70	180	137.5	147.5	215	112	40	320	380	32	26	24	SNA 520 TA	SNA 520 TC	SNA 520 TG	1220 K + H 220	FRB 18/180	FRB 18/180	2	
																					2220 K + H 320	FRB 12/180	FRB 12/180	2
																					22220 K + H 320	FRB 12/180	FRB 12/180	2
4	100	175	120	6	80	200	147.5	157.5	239	125	45	350	410	32	28	24	SNA 522 TA	SNA 522 TC	SNA 522 TG	23220 K + H 2320	FRB 9.7/180	FRB 9.7/180	1	
																					1222 K + H 222	FRB 21/200	FRB 21/200	2
																					2222 K + H 322	FRB 13.5/200	FRB 13.5/200	2
																					22222 K + H 322	FRB 13.5/200	FRB 13.5/200	2
4 1/4	110	185	120	6	86	215	157.5	167.5	271	140	45	350	410	32	28	24	SNA 524 TA	SNA 524 TC	SNA 524 TG	73227 K + H 2322	FRB 10/200	FRB 10/200	1	
																					22224 K + H 3124	FRB 14/215	FRB 14/215	2
																					23224 K + H 2324	FRB 10/215	FRB 10/215	1
4 1/2	115	190	130	6	90	230	167.5	177.5	290	150	50	380	445	35	28	24	SNA 526 TA	SNA 526 TC	SNA 526 TG	22226 K + H 3126	FRB 13/230	FRB 13/230	2	
																					23226 K + H 2326	FRB 10/230	FRB 10/230	1
5	125	205	150	6	98	250	177.5	187.5	302	150	50	420	500	42	35	30	SNA 528 TA	SNA 528 TC	SNA 528 TG	22228 K + H 3128	FRB 15/250	FRB 15/250	2	
																					23228 K + H 2328	FRB 10/250	FRB 10/250	1
5 1/2	135	220	160	6	106	270	192.5	202.5	323	160	60	450	530	42	35	30	SNA 530 TA	SNA 530 TC	SNA 528 TG	22230 K + H 3130	FRB 16.5/270	FRB 16.5/270	2	
																					23230 K + H 2330	FRB 10/270	FRB 10/270	1
5 3/4	140	235	160	6	114	290	202.5	212.5	344	170	60	470	550	42	35	30	SNA 532 TA	SNA 532 TC	SNA 532 TG	22232 K + H 3132	FRB 17/290	FRB 17/290	2	
																					23232 K + H 2332	FRB 10/290	FRB 10/290	1



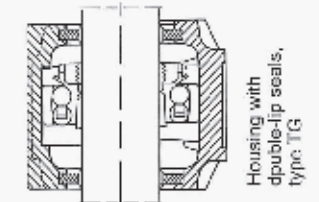
PLUMMER BLOCKS FOR BEARINGS WITH ADAPTER SLEEVE LOCATING RING FELT STRIP



Type TA with 2 y ring seals and washers



Type TC with 2 felt seals





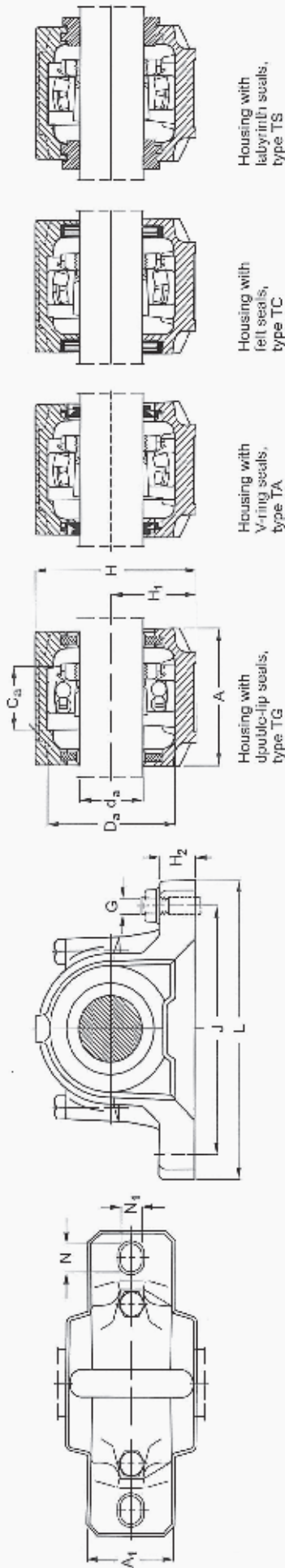
**PLUMMER BLOCKS FOR BEARINGS WITH
ADAPTER SLEEVE LOCATING RING FELT STRIP**

Series SNA 600

Shaft Dia.	Housing Dimensions														Designation Type		Bearing and Adapter Sleeve		Locating Ring						
	d ₁ inch	A	A ₁	A ₂	C _a	D	D _a	D _b	F	H ₁	H ₂	J	L	N	N ₁	E	J _A	J _C	J _G	TC	Designation	No.	Designation	No.	
2 1/4	60	120	90	5	58	140	92.5	101	175	95	32	260	315	29	22	20		SNA 613 TA	SNA 613 TC	SNA 613 TG		1313 K + H 313	2	FRB 12.5/140	2
																						2313 K + H 2313	1	FRB 10/140	1
																						21313 K + H 313	2	FRB 12.5/140	2
																						22313 K + H 2313	1	FRB 10/140	1
2 1/2	65	140	100	5	65	160	102.5	111	192	100	35	290	345	27	22	20		SNA 615 TA	SNA 615 TC	SNA 615 TG		1315 K + H 315	2	FRB 14/160	2
																						2315 K + H 2315	1	FRB 10/160	1
																						21315 K + H 315	2	FRB 14/160	2
																						22315 K + H 2315	1	FRB 10/160	1
2 3/4	70	145	100	6	68	170	131	141	209	112	35	290	345	27	22	20		SNA 616 TA	SNA 616 TC	SNA 616 TG		1316 K + H 316	2	FRB 14.5/170	2
																						2316 K + H 2316	1	FRB 10/170	1
																						21316 K + H 316	2	FRB 14.4/170	2
																						22316 K + H 2316	1	FRB 10/170	1
3	75	160	110	6	70	180	137.5	147.5	215	112	40	320	380	32	26	24		SNA 617 TA	SNA 617 TC	SNA 617 TG		1317 K + H 317	2	FRB 14.5/180	2
																						2317 K + H 2317	1	FRB 10/180	1
																						21317 K + H 317	2	FRB 14.5/180	2
																						22317 K + H 2317	1	FRB 10/180	1
3 1/16	80	165	110	6	74	190	142.5	152.5	220	112	40	320	380	32	26	24		SNA 618 TA	SNA 618 TC	SNA 618 TG		1318 K + H 318	2	FRB 15.5/190	2
																						2318 K + H 2318	1	FRB 10/190	1
																						21318 K + H 318	2	FRB 15.5/190	2
																						22318 K + H 2318	1	FRB 10/190	1
3 1/4	85	175	120	6	80	200	147.5	157.5	230	125	45	350	410	32	26	24		SNA 619 TA	SNA 619 TC	SNA 619 TG		1319 K + H 319	2	FRB 17.5/200	2
																						2319 K + H 2319	1	FRB 13/200	1
																						21319 K + H 319	2	FRB 17.5/200	2
																						22319 K + H 2319	1	FRB 13/200	1
3 1/2	90	185	120	6	86	215	157.5	167.5	271	140	45	350	410	32	26	24		SNA 620 TA	SNA 620 TC	SNA 620 TG		1320 K + H 320	2	FRB 19.5/215	2
																						2320 K + H 2320	1	H-KB 13/215	1
																						21320 K + H 320	2	FRB 19.5/215	2
																						22320 K + H 2320	1	FRB 13/215	1
4	100	190	130	86	90	240	167.5	--	280	150	50	380	445	28	24	24		SNA 622 TA	SNA 622 TC	SNA 622 TG		21322 K + H 322	2	FRB 20/240	2
																						22322 K + H 2322	1	FRB 10/240	1



PLUMMER BLOCKS FOR BEARINGS WITH ADAPTER SLEEVE LOCATING RING FELT STRIP



Series SNH 500 and SNH 600

Shaft Dia. MM.	Dimensions										Designations Housing with				Bearing		Adapter Sleeve		Locating Ring							
	A	A1	A2	C1	C2	D1	D2	H	H1	H2	J	L	N	N1	N2	G	Double-lip seals	V-ring seals	Felt seals	labyrinth seals	Designation	Designation	No.	Designation	No.	Designation
20	67	46	25	52	74	40	19	130	165	20	15	12	SNH 505 TG	SNH 505 TA	SNH 505 TC	SNH 505 TS	SNH 505 TG	SNH 505 TA	SNH 505 TC	SNH 505 TS	1205 EK	H 205	2	FRB 5/52	2	FRB 3.5/52
20	77	52	32	62	89	50	22	150	185	20	15	12	SNH 605 TG	SNH 605 TA	SNH 605 TC	SNH 605 TS	SNH 605 TG	SNH 605 TA	SNH 605 TC	SNH 605 TS	2205 EK	H 305	2	FRB 3.5/52	2	FRB 3.5/52
25	77	52	32	62	89	50	22	150	185	20	15	12	SNH 506 TG	SNH 506 TA	SNH 506 TC	SNH 506 TS	SNH 506 TG	SNH 506 TA	SNH 506 TC	SNH 506 TS	1305 EK	H 305	2	FRB 7.5/62	2	FRB 7.5/62
25	82	52	34	72	93	50	22	150	185	20	15	12	SNH 606 TG	SNH 606 TA	SNH 606 TC	SNH 606 TS	SNH 606 TG	SNH 606 TA	SNH 606 TC	SNH 606 TS	2305 K	H 2305	2	FRB 4/62	2	FRB 4/62
30	82	52	34	72	93	50	22	150	185	20	15	12	SNH 507 TG	SNH 507 TA	SNH 507 TC	SNH 507 TS	SNH 507 TG	SNH 507 TA	SNH 507 TC	SNH 507 TS	1206 EK	H 206	2	FRB 8/62	2	FRB 8/62
30	85	60	39	80	107	60	25	170	205	20	15	12	SNH 607 TG	SNH 607 TA	SNH 607 TC	SNH 607 TS	SNH 607 TG	SNH 607 TA	SNH 607 TC	SNH 607 TS	2206 EK	H 306	2	FRB 6/62	2	FRB 6/62
30	85	60	39	80	107	60	25	170	205	20	15	12	SNH 508 TG	SNH 508 TA	SNH 508 TC	SNH 508 TS	SNH 508 TG	SNH 508 TA	SNH 508 TC	SNH 508 TS	1306 EK	H 306	2	FRB 7.5/72	2	FRB 7.5/72
35	90	60	41	90	113	60	25	170	205	20	15	12	SNH 608 TG	SNH 608 TA	SNH 608 TC	SNH 608 TS	SNH 608 TG	SNH 608 TA	SNH 608 TC	SNH 608 TS	2306 K	H 2306	2	FRB 3.5/72	2	FRB 3.5/72
35	90	60	41	90	113	60	25	170	205	20	15	12	SNH 509 TG	SNH 509 TA	SNH 509 TC	SNH 509 TS	SNH 509 TG	SNH 509 TA	SNH 509 TC	SNH 509 TS	1207 EK	H 207	2	FRB 8.5/72	2	FRB 8.5/72
35	90	60	41	90	113	60	25	170	205	20	15	12	SNH 609 TG	SNH 609 TA	SNH 609 TC	SNH 609 TS	SNH 609 TG	SNH 609 TA	SNH 609 TC	SNH 609 TS	2207 EK	H 307	2	FRB 5.5/72	2	FRB 5.5/72
35	90	60	41	90	113	60	25	170	205	20	15	12	SNH 510 TG	SNH 510 TA	SNH 510 TC	SNH 510 TS	SNH 510 TG	SNH 510 TA	SNH 510 TC	SNH 510 TS	22207 EK	H 307	2	FRB 5.5/72	2	FRB 5.5/72
35	90	60	41	90	113	60	25	170	205	20	15	12	SNH 610 TG	SNH 610 TA	SNH 610 TC	SNH 610 TS	SNH 610 TG	SNH 610 TA	SNH 610 TC	SNH 610 TS	1307 EK	H 307	2	FRB 9/80	2	FRB 9/80
35	90	60	41	90	113	60	25	170	205	20	15	12	SNH 511 TG	SNH 511 TA	SNH 511 TC	SNH 511 TS	SNH 511 TG	SNH 511 TA	SNH 511 TC	SNH 511 TS	2307 EK	H 2307	2	FRB 4/80	2	FRB 4/80
35	90	60	41	90	113	60	25	170	205	20	15	12	SNH 611 TG	SNH 611 TA	SNH 611 TC	SNH 611 TS	SNH 611 TG	SNH 611 TA	SNH 611 TC	SNH 611 TS	1208 EK	H 208	2	FRB 10.5/80	2	FRB 10.5/80
35	90	60	41	90	113	60	25	170	205	20	15	12	SNH 512 TG	SNH 512 TA	SNH 512 TC	SNH 512 TS	SNH 512 TG	SNH 512 TA	SNH 512 TC	SNH 512 TS	2208 EK	H 308	2	FRB 8/80	2	FRB 8/80
35	90	60	41	90	113	60	25	170	205	20	15	12	SNH 612 TG	SNH 612 TA	SNH 612 TC	SNH 612 TS	SNH 612 TG	SNH 612 TA	SNH 612 TC	SNH 612 TS	22208 EK	H 308	2	FRB 8/80	2	FRB 8/80
35	90	60	41	90	113	60	25	170	205	20	15	12	SNH 513 TG	SNH 513 TA	SNH 513 TC	SNH 513 TS	SNH 513 TG	SNH 513 TA	SNH 513 TC	SNH 513 TS	1308 EK	H 308	2	FRB 9/90	2	FRB 9/90
35	90	60	41	90	113	60	25	170	205	20	15	12	SNH 613 TG	SNH 613 TA	SNH 613 TC	SNH 613 TS	SNH 613 TG	SNH 613 TA	SNH 613 TC	SNH 613 TS	2308 EK	H 2308	2	FRB 4/90	2	FRB 4/90
35	90	60	41	90	113	60	25	170	205	20	15	12	SNH 514 TG	SNH 514 TA	SNH 514 TC	SNH 514 TS	SNH 514 TG	SNH 514 TA	SNH 514 TC	SNH 514 TS	21308 CCK	H 308	2	FRB 9/90	2	FRB 9/90
35	90	60	41	90	113	60	25	170	205	20	15	12	SNH 614 TG	SNH 614 TA	SNH 614 TC	SNH 614 TS	SNH 614 TG	SNH 614 TA	SNH 614 TC	SNH 614 TS	22308 EK	H 2308	2	FRB 4/90	2	FRB 4/90



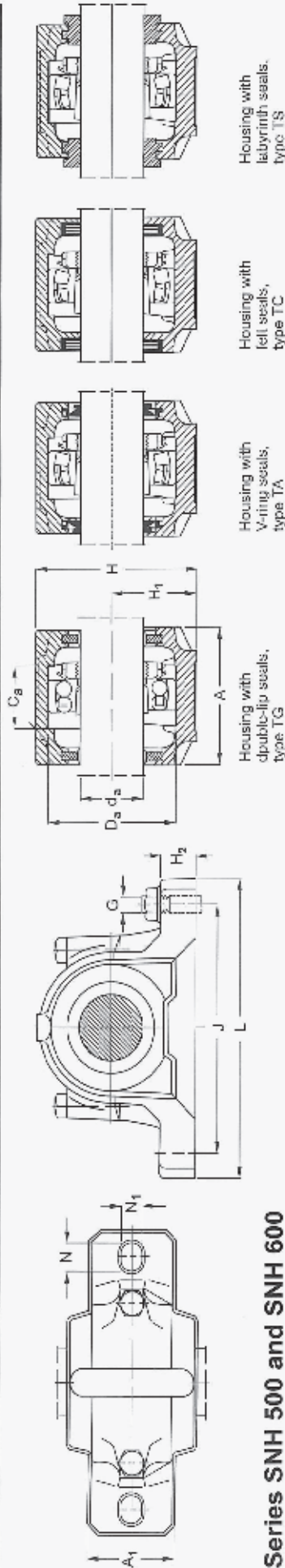
**PLUMMER BLOCKS FOR BEARINGS WITH
ADAPTER SLEEVE LOCATING RING FELT STRIP**

Series SNH 500 and SNH 600

Shaft Dia.		Dimensions													Designations Housing with				Bearing		Adapter Sleeve		Locating Ring	
		A	A ₁	A ₂	H	H ₁	H ₂	J	L	N	N ₁	G	Double-tp seals	V-ring seals	Int. seals	Isodynamic seals	Designation	Designation	Designation	No.	Designation	No.	Designation	
40	85	60	30	85	109	60	25	170	205	20	15	12	SNH 509 TG	SNH 509 TA	SNH 509 TC	SNH 509 TS	1209 EK	H 209	H 209	2	FRB 5.5/85			
																		2209 EK	H 309	H 309	2	FRB 3.5/85		
40	95	70	44	100	127	70	28	210	255	24	18	16	SNH 609 TG	SNH 609 TA	SNH 609 TC	SNH 609 TS	2209 EK	H 309	H 309	2	FRB 3.5/85			
																		1309 EK	H 309	H 309	2	FRB 9.5/100		
																		2309 K	H 2309	H 2309	2	FRD 4/100		
45	90	60	41	90	113	60	25	170	205	20	15	12	SNH 510 TG	SNH 510 TA	SNH 510 TC	SNH 510 TS	21309 CCK	H 309	H 309	2	FRB 9.5/100			
																		22309 LK	H 2309	H 2309	2	FRB 4/100		
																		1210 EK	H 210	H 210	2	FRB 10.5/90		
																		2210 EK	H 310	H 310	2	FRB 9/90		
45	105	70	48	110	133	70	30	210	255	24	18	16	SNH 610 TG	SNH 610 TA	SNH 610 TC	SNH 610 TS	22210 EK	H 310	H 310	2	FRB 9/90			
																		1310 EK	H 310	H 310	2	FRB10.5/110		
																		2310 K	H 2310	H 2310	2	FRB 4/110		
50	95	70	44	100	127	70	28	210	255	24	18	16	SNH 511 TG	SNH 511 TA	SNH 511 TC	SNH 511 TS	21310 CCK	H 310	H 310	2	FRB10.5/110			
																		22310 EK	H 2310	H 2310	2	FRB 4/110		
																		1211 EK	H 211	H 211	2	FRB11.5/100		
50	110	80	51	120	148	80	30	230	275	24	18	16	SNH 611 TG	SNH 611 TA	SNH 611 TC	SNH 611 TS	2211 EK	H 311	H 311	2	FRB 9.5/100			
																		22211 EK	H 311	H 311	2	FRB 9.5/100		
																		1311 EK	H 311	H 311	2	FRB 11/120		
																		2311 K	H 2311	H 2311	2	FRB 4/120		
																		21311 CCK	H 311	H 311	2	FRB 11/120		
55	105	70	48	110	133	70	30	210	255	24	18	16	SNH 512 TG	SNH 512 TA	SNH 512 TC	SNH 512 TS	22311 EK	H 2311	H 2311	2	FRB 4/120			
																		1212 EK	H 212	H 212	2	FRB 13/110		
																		2212 FK	H 312	H 312	2	FRB 10/110		
55	115	80	56	130	154	80	30	230	280	24	18	16	SNH 612 TG	SNH 612 TA	SNH 612 TC	SNH 612 TS	22212 EK	H 312	H 312	2	FRB 10/110			
																		1312 K	H 312	H 312	2	FRB12.5/130		
																		2312 K	H 2312	H 2312	2	FRD 5/130		
																		21312 CCK	H 312	H 312	2	FRB12.5/130		
60	110	80	51	120	148	80	30	230	275	24	18	16	SNH 513 TG	SNH 513 TA	SNH 513 TC	SNH 513 TS	22312 EK	H 2312	H 2312	2	FRB 5/130			
																		1213 EK	H 213	H 213	2	FRR 14/120		
																		2213 FK	H 313	H 313	2	FRB 10/120		
																		22213 EK	H 313	H 313	2	FRB 10/120		
60	120	90	58	140	175	95	32	260	315	28	22	20	SNH 613 TG	SNH 613 TA	SNH 613 TC	SNH 613 TS	1313 EK	H 313	H 313	2	FRB12.5/140			
																		2313 K	I 2313	I 2313	2	FRB 5/140		
																		21313 CCK	H 313	H 313	2	FRB12.5/140		
																		22313 EK	H 2313	H 2313	2	F-RB 5/140		



**PLUMMER BLOCKS FOR BEARINGS WITH
ADAPTER SLEEVE LOCATING RING FELT STRIP**



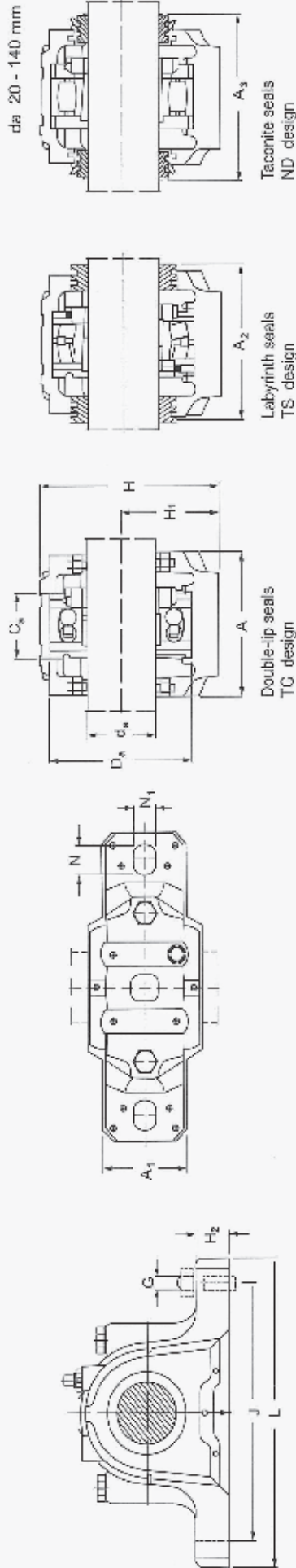
Series SNH 500 and SNH 600

Shaft Dia. MM.	Dimensions										Designations Housing with				Bearing		Adapter Sleeve		Locating Ring		
	A	A ₁	C	D	D ₁	H	H ₁	H ₂	J	L	N	N ₁	N ₂	G	Double-lip seals	V-ring seals	felt seals	labyrinth seals	Designation	Designation	No.
65	115	80	56	130	154	80	30	230	280	24	18	16	16	SNH 515 TG	SNH 515 TA	SNH 515 TC	SNH 515 TS	1215 K	H 215	2	FRB15.5/130
														SNH 515 TG	SNH 515 TA	SNH 515 TC	SNH 515 TS	2215 K	H 315	2	FRB12.5/130
65	140	100	65	160	193	100	35	290	345	28	22	20	20	SNH 615 TG	SNH 615 TA	SNH 615 TC	SNH 615 TS	22215 EK	H 315	2	FRB12.5/130
														SNH 615 TG	SNH 615 TA	SNH 615 TC	SNH 615 TS	1315 K	H 315	2	FRB 14/160
														SNH 615 TG	SNH 615 TA	SNH 615 TC	SNH 615 TS	2315 K	H 2315	2	FRB 5/160
70	120	90	58	140	175	95	32	260	315	28	22	20	20	SNH 516 TG	SNH 516 TA	SNH 516 TC	SNH 516 TS	21315 CCK	H 315	2	FRB 14/160
														SNH 516 TG	SNH 516 TA	SNH 516 TC	SNH 516 TS	22315 EK	H 2315	2	FRB 5/160
														SNH 516 TG	SNH 516 TA	SNH 516 TC	SNH 516 TS	1216 K	H 216	2	FRB 16/140
70	145	100	68	170	210	112	35	290	345	28	22	20	20	SNH 616 TG	SNH 616 TA	SNH 616 TC	SNH 616 TS	2216 EK	H 316	2	FRB 12.5/140
														SNH 616 TG	SNH 616 TA	SNH 616 TC	SNH 616 TS	22216 EK	H 316	2	FRB12.5/140
														SNH 616 TG	SNH 616 TA	SNH 616 TC	SNH 616 TS	1316 K	H 316	2	FRB14.5/170
														SNH 616 TG	SNH 616 TA	SNH 616 TC	SNH 616 TS	2316 K	H 2316	2	FRB 5/170
75	125	90	61	150	183	95	32	260	320	28	22	20	20	SNH 517 TG	SNH 517 TA	SNH 517 TC	SNH 517 TS	21316 CCK	H 316	2	FRB14.5/170
														SNH 517 TG	SNH 517 TA	SNH 517 TC	SNH 517 TS	22316 K	H 2316	2	FRB 5/170
														SNH 517 TG	SNH 517 TA	SNH 517 TC	SNH 517 TS	1217 K	H 217	2	FRB16.5/150
75	100	110	70	180	215	112	40	320	380	32	26	24	24	SNH 617 TG	SNH 617 TA	SNH 617 TC	SNH 617 TS	2217 K	H 2317	2	FRB12.5/150
														SNH 617 TG	SNH 617 TA	SNH 617 TC	SNH 617 TS	22217 EK	H 317	2	FRB12.5/150
														SNH 617 TG	SNH 617 TA	SNH 617 TC	SNH 617 TS	1317 K	H 317	2	FRB14.5/180
														SNH 617 TG	SNH 617 TA	SNH 617 TC	SNH 617 TS	2317 K	H 2317	2	FRB 5/180
														SNH 617 TG	SNH 617 TA	SNH 617 TC	SNH 617 TS	22317 K	H 2317	2	FRB 5/180
														SNH 617 TG	SNH 617 TA	SNH 617 TC	SNH 617 TS	21317 K	H 317	2	FRB 14.5/180

Shaft Dia.	Dimensions											Designations Housing with				Bearing		Adapter Sleeve		Locating Ring	
	A	A ₁	A ₂	A ₃	H	H ₁	H ₂	J	L	N	N ₁	θ	Double lip seals	V-ring seals	fell seals	lip seals	Designation	Designation	No.	Designation	No.
80	140	100	65	160	193	100	35	290	345	28	22	20	SNH 518 TG	SNH 518 TA	SNH 518 TC	SNH 518 TS	1218 K	H 218	2	FRB 17.5/160	
																	2218 K	H 318	2	FRB 12.5/160	
																	22218 EK	H 318	2	FRB 12.5/160	
																	23218 CCK	H 2319	2	FRB 6.25/160	
85	145	100	68	170	210	112	35	290	345	28	22	20	SNH 519 TG	SNH 519 TA	SNH 519 TC	SNH 519 TS	1219 K	H 219	2	FRB 18/170	
																	2219 K	H 319	2	FRB 12.5/170	
																	22219 EK	H 319	2	FRB 12.5/170	
85	175	120	80	200	239	125	45	350	410	32	26	24	SNH 619 TG	SNH 619 TA	SNH 619 TC	SNH 619 TS	1319 K	H 319	2	FRB 17.5/200	
																	2319 K	H 2319	2	FRB 6.5/200	
																	21319 CCK	H 319	2	FRB 17.5/200	
																	22319 EK	H 2319	2	FRB 6.5/200	
90	160	110	70	180	215	112	40	320	380	32	26	24	SNH 520 TG	SNH 520 TA	SNH 520 TC	SNH 520 TS	1220 K	H 220	2	FRB 18/180	
																	2220 K	H 320	2	FRB 12/180	
																	22220 EK	H 320	2	FRB 12/180	
																	23220 CCK	H 2320	2	FRB 4.85/180	
90	185	120	86	215	271	140	45	350	410	32	26	24	SNH 620 TG	SNH 620 TA	SNH 620 TC	SNH 620 TS	1320 K	H 320	2	FRB 19.5/215	
																	2320 K	H 2320	2	FRB 6.5/215	
																	21320 CCK	H 320	2	FRB 19.5/215	
																	22320 EK	H 2320	2	FRB 6.5/215	
100	175	120	80	200	239	125	45	350	410	32	26	24	SNH 522 TG	SNH 522 TA	SNH 522 TC	SNH 522 TS	1222 K	H 222	2	FRB 21/200	
																	2222 K	H 322	2	FRB 13.5/200	
																	22222 EK	H 322	2	FRB 13.5/200	
																	23222 CCK	H 2322	2	FRB 5.1/200	
110	185	120	86	215	271	140	45	350	410	32	26	24	SNH 524 TG	SNH 524 TA	SNH 524 TC	SNH 524 TS	1224 K	H 3124	2	FRB 22/215	
																	22224 EK	H 3124	2	FRB 14/215	
																	23224 CCK	H 2324	2	FRB 5/215	
115	190	130	90	230	290	150	50	380	445	35	28	24	SNH 526 TG	SNH 526 TA	SNH 526 TC	SNH 526 TS	22226 EK	H 3126	2	FRB 13/230	
																	23226 CCK	H 2326	2	FRB 5/230	
125	205	150	98	250	302	150	50	420	500	42	35	30	SNH 528 TG	SNH 528 TA	SNH 528 TC	SNH 528 TS	22228 CCK	H 3128	2	FRB 15/250	
																	23228 CCK	H 2328	2	FRB 5/250	
135	220	160	106	270	323	160	60	450	530	42	35	30	SNH 530 TG	SNH 530 TA	SNH 530 TC	SNH 530 TS	22230 CCK	H 3130	2	FRB 16.5/270	
																	23230 CCK	H 2330	2	FRB 5/270	
140	235	160	114	290	344	170	60	470	550	42	35	30	SNH 532 TG	SNH 532 TA	SNH 532 TC	SNH 532 TS	22232 CCK	H 3132	2	FRB 17/290	
																	23232 CCK	H 2332	2	FRB 5/290	



PLUMMER BLOCKS FOR BEARINGS WITH ADAPTER SLEEVE LOCATING RING FELT STRIP



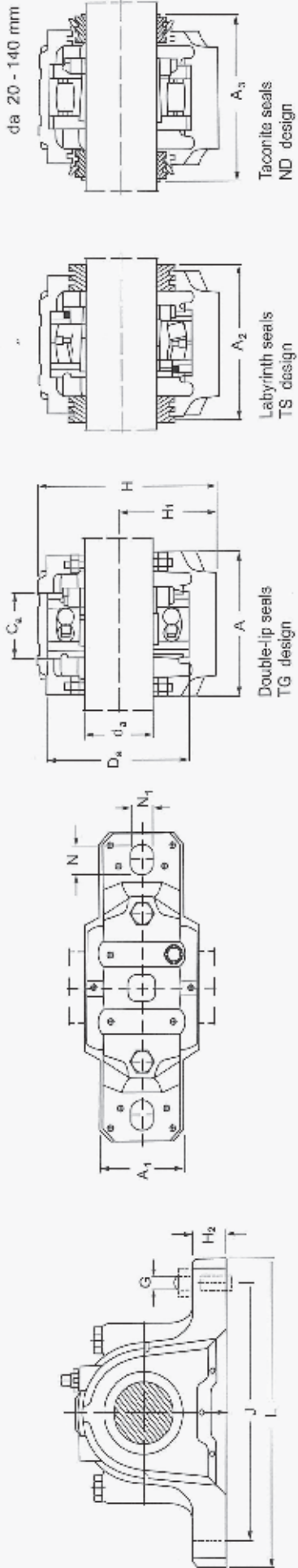
Series SNL 500

Shaft d_a mm	Housing Dimension											Designations Housing	Bearing Seating	Width Across Seal			Appropriate bearings and associated components		Locating rings 2 per housing
	A	A ₁	H	H ₁	H ₂	J	L	N	N ₁	G	Complete with two seal			C _a	D _a	A ₂	A ₃	self aligning ball bearing	
20	67	46	74	40	19	130	165	20	15	12	SNL 505 TG	25	52	80	125	1205EK	H 205	FRB 5/52	
25	77	52	89	50	22	150	185	20	15	12	SNL 506 TG	32	62	89	135	2205 EK/22205/CCK/W33	H 305	FRB 3.5/5	
30	82	52	93	50	22	150	185	20	15	12	SNL 507 TG	34	72	94	145	12106 FK	H 206	FRB 8/62	
35	85	60	108	60	25	170	205	20	15	12	SNL 508 TG	39	80	97	150	2206 EK/22206/CCK/W33	H 306	FRB 6/62	
40	85	60	109	60	25	170	205	20	15	12	SNL 509 TG	30	85	97	150	1207 CK	H 207	FRB 8.5/72	
45	90	60	113	60	25	170	205	20	15	12	SNL 510 TG	41	90	102	155	2207 EK/22207 CCK/W33	H 307	FRB 5.5/72	
50	95	70	126	70	28	210	255	24	18	16	SNL 511 TG	44	100	107	165	1208 EK	H 208	FRB /10.5/80	
55	105	70	134	70	30	210	255	24	18	16	SNL 512 TG	48	110	117	175	2208 EK/22208 EK	H 308	FRB 8/80	
																1209 EK	H 209	FRB 5.5/85	
																2209 EK/22209 CCK/W33	H 309	FRB 3.5/85	
																1210 EK	H 210	FRB 10.5/90	
																2210 EK/22210 CCK/W33	H 310	FRB 9/90	
																1211 EK	H 211	FRB 11.5/100	
																2211 EK / 22211 K	H 311	FRB 9.5/100	
																1212 EK	H 212	FRB 13/110	
																2212 EK / 22212 EK	H 312	FRB 10/110	

Shaft d _s mm	Housing Dimension											Designations Housing			Bearing Seating			Width Across Seal			Appropriate bearings and associated components		
	A	A ₁	H	H ₁	H ₂	J	L	N	N ₁	G	Complete with two seal	C _e	D _a	A ₂	A ₃	self-aligning ball bearing spherical roller bearing	Adapter sleeve	Locating rings 2 per housing					
60	110	80	149	80	30	230	275	24	18	16	SNL 513 TG	51	120	122	180	1213 EK	H 213	FRB 14/120					
60	115	80	155	80	30	230	280	24	18	16	SNL 514 TG	51	125	127	175	2213 EK / 22213 CCK/W33 1214 K 2214 K 22214 CK	H 313 H 214 H 314	FRB 10/120 FRB 13/125 FRB 10/125					
65	115	80	155	80	30	230	280	24	18	16	SNL 515 TG	56	130	127	175	1215 K 2215 EK / 22215 EK	H 215 H 315	FRB 15.5/130 FRB 12.5/130					
70	120	90	177	95	32	260	315	28	22	20	SNL 516 TG	58	140	138	205	1216 K 2216 EK / 22216 EK	H 216 H 316	FRB 16/140 FRB 12.5/140					
75	125	90	183	95	32	260	320	28	22	20	SNL 517 TG	61	150	143	210	1217 K 2217 K / 22217 EK	H 217 H 317	FRB 16.5/150 FRB 12.5/150					
80	140	100	194	100	35	290	345	28	22	20	SNL 518 TG	65	160	158	225	1218 K 2218 K / 22218 EK	H 218 H 318	FRB 17.5/160 FRB 12.5/160					
85	145	100	212	112	35	290	345	28	22	20	SNL 519 TG	68	170	163	220	23219 CCK/W33 1219 K 2219 K / 22219 FK	H 219 H 319	FRB 18/170 FRB 12.5/170					
90	160	110	218	112	40	320	380	32	26	24	SNL 520 TG	70	180	178	230	1220 K 2220 K / 22220 EK 23220 CCK/W33	H 220 H 320 H 2320	FRB 18/180 FRB 12/180 FRB 4.85/180					
100	175	120	242	125	45	350	410	32	26	24	SNL 522 TG	80	200	191	250	1222 K 2222 K / 22222 EK 23222 CCK/W33	H 222 H 322 H 2322	FRB 121/200 FRB 13.50/200 FRB 5.1/200					
110	185	120	271	140	45	350	410	32	26	24	SNL 524 TG	86	215	199	260	1224 K 2224 EK 23224 CCK/W33	H 3024 H 3124 H 2324	FRB 22/215 FRB 14/215 FRB 5/215					
115	190	130	290	150	50	380	445	35	28	24	SNL 526 TG	90	230	208	265	22226 EK 23226 CCK/W33	H 3126 H 2326	FRB 13/230 FRB 5/230					
125	205	150	302	150	50	420	500	42	35	30	SNL 528 TG	98	250	223	285	22228 CCK/W33 23228 CCK/W33	H 3128 H 2328	FRB 15/250 FRB 5/250					
135	220	160	323	160	60	450	530	42	35	30	SNL 530 TG	106	270	211	295	22230 CCK/W33 23230 CCK/W33	H 3130 H 2330	FRB 16.5/270 FRB 5/270					
140	235	160	344	170	60	470	560	42	35	30	SNL 532 TG	114	290	254	315	22232 CCK/W33 23232 CCK/W33	H 3132 H 2332	FRB 17/290 FRB 5/290					



PLUMMER BLOCKS FOR BEARINGS WITH ADAPTER SLEEVE LOCATING RING FELT STRIP

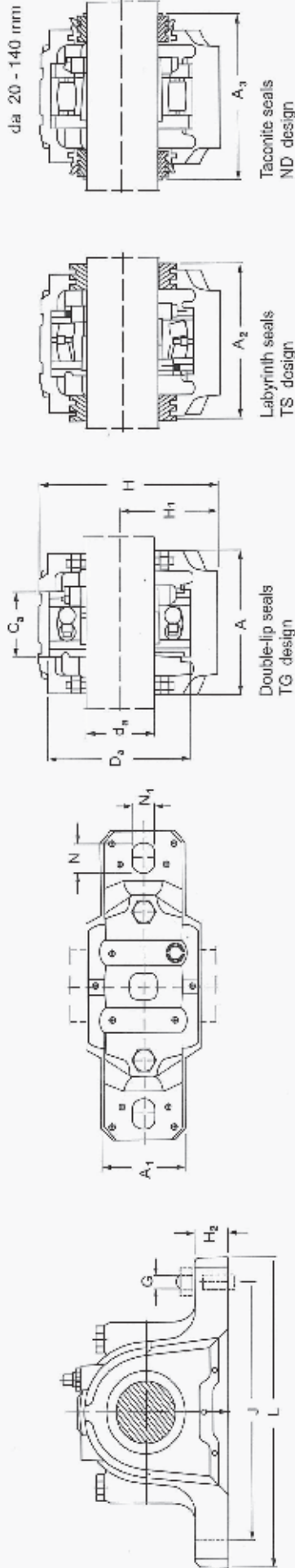


Series SNL 600

Shaft d _a mm	Housing Dimension										Designations Housing	Bearing Seating	Width Across Seal			Appropriate bearings and associated components		
	A	A ₁	H	H ₁	H ₂	J	L	N	N ₁	G			C _a	D _a	A ₂	A ₃	self-aligning ball bearing spherical roller bearing	Adapter sleeve
20	77	52	89	50	22	150	185	20	15	12	SNL 605 TG	32	62	89	135	1305 EK 2305 EK	H 305 H 2305	FRB 7.5/62 FRB 4/62
25	82	52	93	50	22	150	185	20	15	12	SNL 606 TG	34	72	94	140	1306 EK 2306 K	H 306 H 2306	FRB 7.5/72 FRB 3.5/72
30	85	60	108	60	25	170	205	20	15	12	SNL 607 TG	39	80	97	145	1307 EK 2307 EK	H 307 H 2307	FRB 9/80 FRB 4/80
35	90	60	113	60	25	170	205	20	15	12	SNI 608 TG	41	90	102	150	1308 EK / 21308 CCK 2308 EK / 22308 CCKW33	H 308 H 2308	FRB 9/90 FRB 4/90
40	95	70	127	70	28	210	255	24	18	16	SNL 609 TG	44	100	107	155	1309 EK / 21309 EK 2309 EK / 22309 CCKW33	H 309 H 2309	FRB 9.5/100 FRB 4/100
45	105	70	133	70	30	210	255	24	18	16	SNL 610 TG	48	110	117	165	1310 EK / 21310 EK 2310 K / 22310 CCKW33	H 310 H 2310	FRB 10.5/110 FRB 4/110
50	110	80	148	80	30	230	275	24	18	16	SNL 611 TG	51	120	122	170	1311 EK / 21311 EK 2311 K / 22311 EK	H 311 H 2311	FRB 11/120 FRB 4/120
55	115	80	154	80	30	230	280	24	18	10	SNL 612 TG	56	130	127	175	1312 EK / 21312 EK 2312 K / 22312 EK	H 312 H 2312	FRB 12.5/130 FRB 5/130



PLUMMER BLOCKS FOR BEARINGS WITH ADAPTER SLEEVE LOCATING RING FELT STRIP

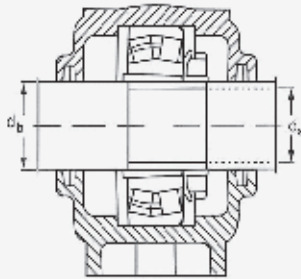


Series SNL 600

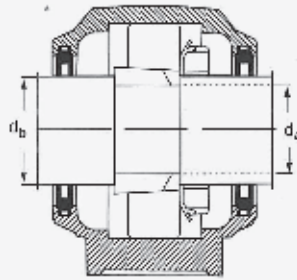
Shaft d _a mm	Housing Dimension										Designations Housing	Bearing Seating	Width Across Seal			Appropriate bearings and associated components		
	A	A ₁	H	H ₁	H ₂	J	L	N	N ₁	G			Complete with two seal	C _a	D ₀	A ₂	A ₃	self-aligning ball bearing spherical roller bearing
60	120	90	175	95	32	260	315	28	22	20	SNL 613 TG	58	140	138	180	1313 EK / 21313 EK 2313 K / 22313 EK	H 313 H 2313	FRB 12.5/140 FRB 5/140
60	125	90	183	95	32	260	320	28	22	20	SNL 614 TG	61	150	143	210	1314 K / 21314 K 2314 K / 22314 K	H 314 H 2314	FRB 13/150 FRB 10/150
65	140	100	193	100	35	290	345	28	22	20	SNL 615 TG	65	160	158	200	1315 K / 21315 EK 2315 K / 22315 EK	H 315 H 2315	FRB 14/160 FRB 5/160
70	145	100	210	112	35	290	345	28	22	20	SNL 616 TG	68	170	163	205	1316 K / 21316 EK 2316 K / 22316 EK	H 316 H 2316	FRB 14.5/170 FRB 5/170
75	160	110	215	112	40	320	380	32	26	24	SNL 617 TG	70	180	178	220	1317 K / 21317 EK 2317 K / 22317 EK	H 317 H 2317	FRB 14.5/180 FRB 5/180
80	155	110	229	112	45	320	380	32	26	24	SNL 618 TG	74	190	155	170	1318 K / 21318 K 2318 K / 22318 CK	II 318 H 2318	FRB 15.5/190 FRB 10/190
85	175	120	239	125	45	350	410	32	26	24	SNL 619 TG	80	200	191	235	1319 K / 21319 EK 2319 K / 22319 EK	H 319 H 2319	FRB 17.5/200 FRB 6.5/200
90	185	120	271	140	45	350	410	32	26	24	SNL 620 TG	86	215	199	240	1320 K / 21320 EK 2320 K / 22320 EK	H 320 H 2320	FRB 19.5/215 FRB 6.5/215
100	185	130	298	150	50	390	450	36	28	24	SNL 622 1G	100	240	185	203	21322 K 22322 CK	H 322 H 2322	FRB 20/240 FRB 10/240
110	190	160	321	160	60	450	530	42	35	30	SNL 624 TG	106	260	190	208	22324 CK	H 2324	FRB 10/260
115	205	160	344	170	60	470	550	42	35	30	SNL 626 TG	113	280	205	223	22324 CK	H 2324	FRB 10/280
125	215	170	366	180	65	520	620	42	35	30	SNL 628 TG	122	300	215	233	22328 K	H 2328	FRB 10/300
135	225	180	386	190	65	560	650	42	35	30	SNL 630 TG	128	320	225	243	22330 K	H 2330	FRB 10/320
140	235	190	406	200	70	580	680	50	42	35	SNL 632 TG	134	340	235	253	22332 K	H 2332	FRB 10/340



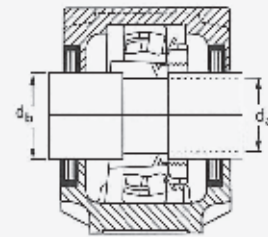
PLUMMER BLOCK FOR BEARINGS WITH CYLINDRICAL BORE



SN Type TC
with 2 felt seals



SNA Type TC
with 2 felt seals



SNH
Housing with
felt seals,
type TC

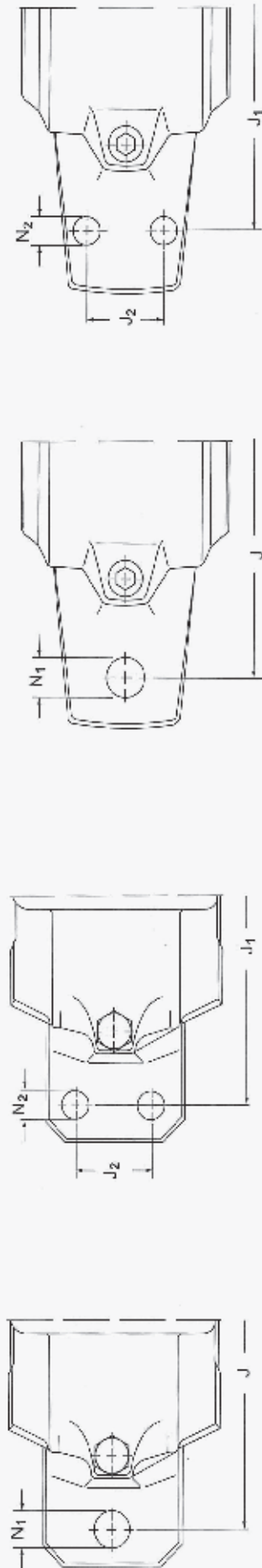
Shaft Dia	SN Series	SN Series	SNA Series	SNA Series	SNH Series	SNH Series
d_a d_b						
25 - 30	SN 205	SN 305	SNA 205	SNA 305	SNH 205	SNH 305
30 - 35	SN 206	SN 306	SNA 206	SNA 306	SNH 206	SNH 306
35 - 45	SN 207	SN 307	SNA 207	SNA 307	SNH 207	SNH 307
40 - 50	SN 208	SN 308	SNA 208	SNA 308	SNH 208	SNH 308
45 - 55	SN 209	SN 309	SNA 209	SNA 309	SNH 209	SNH 309
50 - 60	SN 210	SN 310	SNA 210	SNA 310	SNH 210	SNH 310
55 - 65	SN 211	SN 311	SNA 211	SNA 311	SNH 211	SNH 311
60 - 70	SN 212	SN 312	SNA 212	SNA 312	SNH 212	SNH 312
65 - 75	SN 213	SN 313	SNA 213	SNA 313	SNH 213	SNH 313
70 - 80	SN 214	SN 314	SNA 214	SNA 314	SNH 214	SNH 314
75 - 85	SN 215	SN 315	SNA 215	SNA 315	SNH 215	SNH 315
80 - 90	SN 216	SN 316	SNA 216	SNA 316	SNH 216	SNH 316
85 - 95	SN 217	SN 317	SNA 217	SNA 317	SNH 217	SNH 317
90 - 100	SN 218	SN 318	SNA 218	SNA 318	SNH 218	SNH 318
95 - 110	SN 219	SN 319	SNA 219	SNA 319	SNH 219	SNH 319
100 - 115	SN 220	SN 320	SNA 220	SNA 320	SNH 220	SNH 320
110 - 125	SN 222	SN 322	SNA 222	SNA 322	SNH 222	
120 - 135	SN 224	SN 324	SNA 224		SNH 224	
130 - 145	SN 226	SN 326	SNA 226		SNH 226	
140 - 155	SN 228	SN 328	SNA 228		SNH 228	
150 - 165	SN 230	SN 330	SNA 230		SNH 230	
160 - 175	SN 232	SN 332	SNA 232		SNH 232	

All other Dimensions are same as per

Series **SN 505 to SN 532** and Series **SN 606 to SN 632**
 Series **SNA 505 to SNA 532** and Series **SNA 605 to SNA 622**
 Series **SNH 506 to SNH 532** and Series **SNH 605 to SNH 622**
 Series **SNL 506 to SNL 532** and Series **SNL 605 to SNL 622**



PLUMMER BLOCKS HOLES FOR ATTACHMENT BOLTS

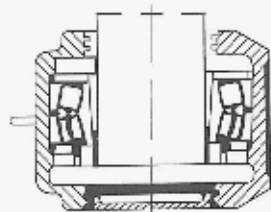
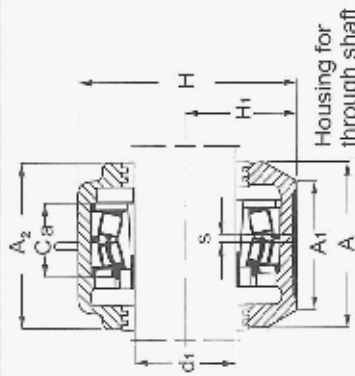


Series SSNHD and SSNAD

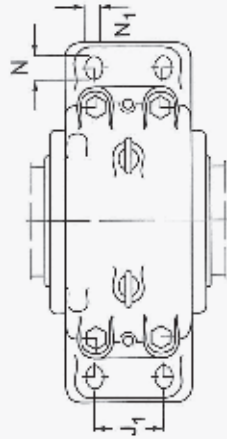
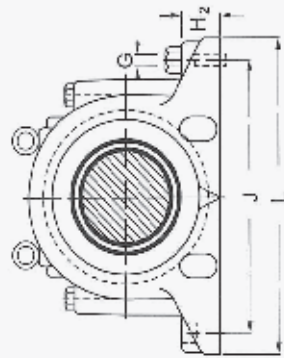
Housing Dimensions	Designations Two holes		Suitable bolts		Designations Four holes		Housing Dimensions		Designations Two holes		Designations Four holes	
	J mm	N ₁	mm	in	J ₂ mm	N ₂	mm	in	J mm	N ₁	J ₂ mm	N ₂
SSNHD 508-607	170	15	M12	1/2	160	11	M10	3/8	210	18	200	35
SSNHD 509	170	15	M12	1/2	160	11	M10	3/8	210	18	200	35
SSNHD 510-608	170	15	M12	1/2	160	11	M10	3/8	230	18	220	40
SSNHD 511-609	210	18	M16	5/8	200	14	M12	1/2	230	18	220	40
SSNHD 512-610	210	18	M16	5/8	200	14	M12	1/2	260	22	250	50
SSNHD 513-611	230	18	M16	5/8	220	14	M12	1/2	260	22	250	50
SSNHD 515-612	230	18	M16	5/8	220	14	M12	1/2	290	22	280	50
SSNHD 516-613	260	22	M20	3/4	252	18	M16	5/8	290	22	280	50
SSNHD 517	260	22	M20	3/4	252	18	M16	5/8	320	26	300	60
SSNHD 518-615	290	22	M20	3/4	280	18	M16	5/8	350	26	320	70
SSNHD 519-616	290	22	M20	3/4	280	18	M16	5/8	350	26	330	70
SSNHD 520-617	320	26	M24	7/8	300	18	M16	5/8	380	28	370	70
SSNHD 522-619	350	26	M24	7/8	320	18	M16	5/8	420	35	400	80
SSNHD 524-620	350	26	M24	7/8	330	18	M16	5/8	450	35	430	90
SSNHD 526	380	28	M26	1	370	22	M20	3/4	470	35	450	90
SSNHD 528	420	35	M30	1 1/4	400	26	M24	7/8				
SSNHD 530	450	35	M30	1 1/4	430	26	M24	7/8				
SSNHD 532	470	35	M30	1 1/4	450	26	M24	7/8				



PLUMMER BLOCKS FOR BEARINGS WITH ADAPTER SLEEVE



Housing for shaft end

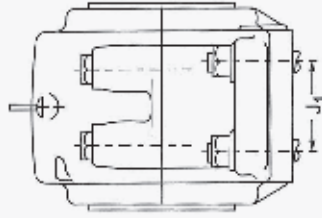
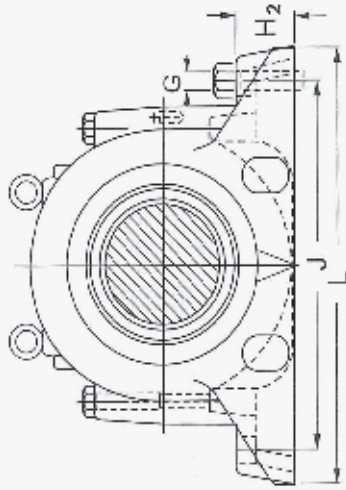
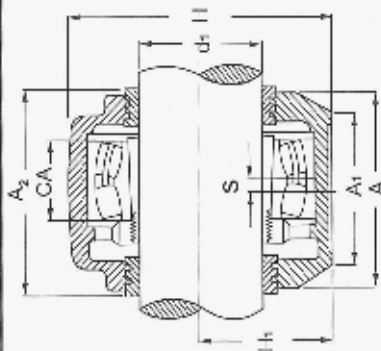


Series SD 3100 TS

Shaft Dia.	Dimensions																	Qty.	2 O-rings			
	For metric shafts-Millimetres																					
d ₁	A	A ₁	A ₂	C	H	H ₁	H ₂	L	J	J ₁	J ₂	GA	S	E	G	V	N ₁	Housing with sealing collars Designation	Bearing with adapter sleeve Designation	Appropriate locating rings Designation		
mm.	mm.																	mm.				
150	230	180	240	240	335	170	70	510	430	100	108	14	24	34	28	28	28	SD 3134 TS	23134 CK + H 3134	FRB 10/280	2	530 X 4
160	240	190	250	250	355	180	75	530	450	110	116	15	24	34	28	28	28	SD 3136 TS	23136 CK + H 3136	FRB 10/300	2	560 X 4
170	260	210	270	270	375	190	80	560	480	120	124	10	24	34	28	28	28	SD 3138 TS	23138 CK + H 3138	FRB 10/320	2	590 X 4
180	280	230	290	290	410	210	85	610	510	130	132	10	30	42	35	35	35	SD 3140 TS	23140 CK + H 3140	FRB 10/340	2	620 X 4
200	290	240	300	300	435	220	90	640	540	140	140	12	30	42	35	35	35	SD 3144 TS	23144 CK + H 3144	FRB 10/370	2	680 X 4
220	310	260	320	320	475	240	95	700	600	150	148	12	30	42	35	35	35	SD 3148 TS	23148 CK + H 3148	FRB 10/400	2	750 X 4
240	320	280	330	330	515	260	100	770	650	160	164	13	36	50	42	42	42	SD 3152 TS	23152 CK + H 3152	FRB 10/440	2	810 X 4
260	320	280	330	330	550	280	105	790	670	160	166	16	36	50	42	42	42	SD 3156 TS	23156 CK + H 3156	FRB 10/460	2	870 X 4
280	350	310	360	360	590	300	110	830	710	190	180	22	36	50	42	42	42	SD 3160 TS	23160 CK + H 3160	FRB 10/500	2	940 X 4
300	370	330	380	380	630	320	115	880	750	200	196	23	36	50	42	42	42	SD 3164 TS	23164 CK + H 3164	FRB 10/540	2	1000 X 4
320	400	360	410	410	675	340	120	950	810	220	210	24	36	42	52	52	52	SD 3168 TS	23168 CK + H 3168	FRB 10/580	2	1060 X 4
340	400	360	410	410	695	350	120	1000	840	220	212	30	36	42	52	52	52	SD 3172 TS	23172 CK + H 3172	FRB 10/600	2	1130 X 4
360	400	360	410	410	715	360	120	1040	870	220	214	30	36	42	52	52	52	SD 3176 TS	32176 CK + H 3176	FRB 10/620	2	1190 X 4
380	430	390	440	440	755	380	125	1120	950	240	220	30	42	48	60	60	60	SD 3180 TS	23180 CK + H 3180	FRB 10/650	2	1260 X 4
400	460	420	470	470	810	410	130	1170	1000	260	244	35	42	48	60	60	60	SD 3184 TS	23184 CK + H 3184	FRB 10/700	2	1320 X 4



PLUMMER BLOCKS FOR BEARINGS WITH ADAPTER SLEEVE

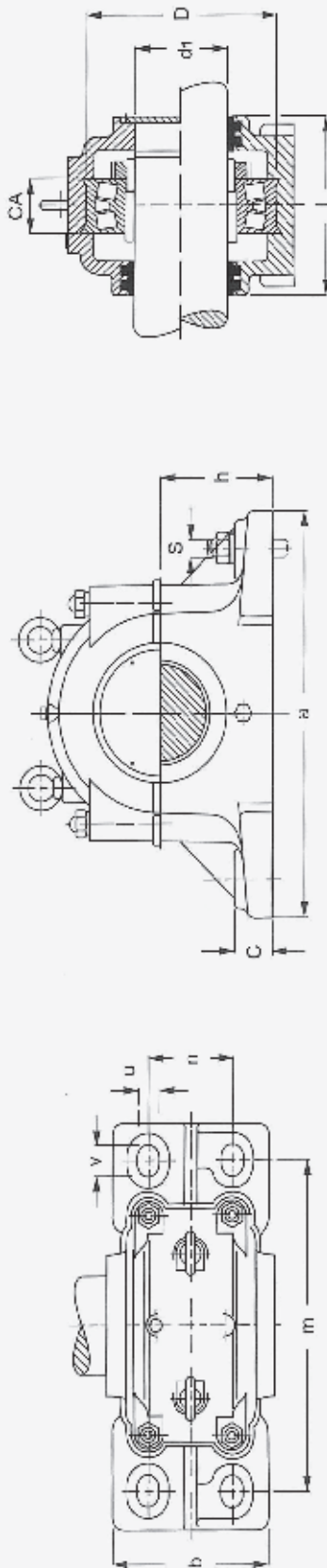


Series SD 30 TS

Shaft Dia. mm.	Dimensions For metric shafts-Millimetres										Housing with sealing collars		Bearing with adapter sleeve		Appropriate locating rings				
	A	A ₁	A ₂	H	H ₁	H ₂	L	L ₁	L ₂	S	CA	G	J	J ₁	J ₂	Designation	Designation	Designation	Length mm.
160	230	180	240	335	170	70	510	430	100	24	94	24	430	100	24	SD 3036 TS	23036 CK + H 3036	FRB 10/280	560 X 4
170	240	190	250	355	180	75	530	450	110	24	95	24	450	110	24	SD 3038 TS	23038 CK + H 3038	FRB 10/290	590 X 4
180	260	210	270	375	190	80	560	480	120	24	102	24	480	120	24	SD 3040 TS	23040 CK + H 3040	FRB 10/310	620 X 4
200	280	230	290	410	210	85	610	510	130	30	110	30	510	130	30	SD 3044 TS	23044 CK + H 3044	FRB 10/340	680 X 4
220	290	240	300	435	220	90	640	540	140	30	112	30	540	140	30	SD 3048 TS	23048 CK + H 3048	FRB 10/360	750 X 4
240	310	260	320	475	240	95	700	600	150	30	124	30	600	150	30	SD 3052 TS	23052 CK + H 3052	FRB 10/400	810 X 4
260	320	280	330	515	260	100	770	650	160	36	126	36	650	160	36	SD 3056 TS	23056 CK + H 3056	FRB 10/420	870 X 4
280	320	280	330	550	280	105	790	670	160	36	138	36	670	160	36	SD 3060 TS	23060 CK + H 3060	FRB 10/460	940 X 4
300	350	310	360	590	300	110	830	710	190	36	141	36	710	190	36	SD 3064 TS	23064 CK + H 3064	FRB 10/480	1000 X 4
320	370	330	380	630	320	115	880	750	200	36	153	36	750	200	36	SD 3068 TS	23068 CK + H 3068	FRB 10/520	1070 X 4
340	370	330	380	630	320	115	880	750	200	38	154	38	750	200	38	SD 3072 TS	23072 CK + H 3072	FRB 10/540	1130 X 4
360	400	360	410	675	340	120	950	810	220	36	155	36	810	220	36	SD 3076 TS	23076 CK + H 3076	FRB 10/560	1190 X 4
380	400	360	410	695	350	120	1000	840	220	36	168	36	840	220	36	SD 3080 TS	23080 CK + H 3080	FRB 10/600	1260 X 4
400	400	360	410	715	360	120	1040	870	220	36	170	36	870	220	36	SD 3084 TS	23084 CK + H 3084	FRB 10/620	1320 X 4
410	430	390	440	755	380	125	1120	950	240	42	177	42	950	240	42	SD 3088 TS	23088 CK + H 3088	FRB 10/650	1380 X 4
430	460	420	470	810	410	130	1170	1000	260	42	183	42	1000	260	42	SD 3092 TS	23092 CK + H 3092	FRB 10/680	1450 X 4



PLUMMER BLOCKS FOR BEARINGS WITH ADAPTER SLEEVE

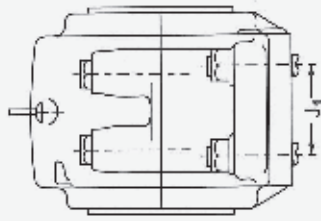
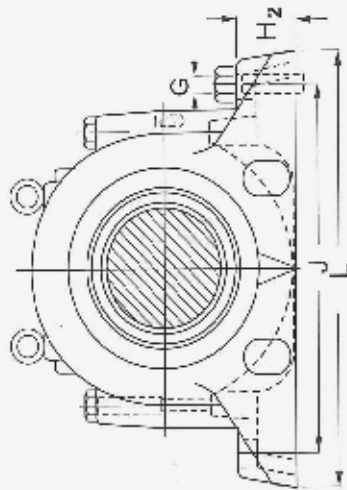
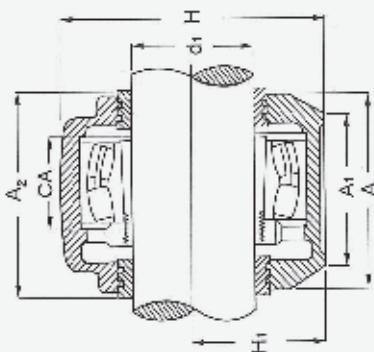


Series SD 500 and SD 600

Dimensions													Housing		Bearing and adapter sleeve		Locating ring	
Shaft Dia.	D	h ₁	h ₂	l	a	b	u	v	w	h	CA	Designation	Designations	Designations	Designations	Qty.		
mm.																		
135	270	160	240	240	550	220	55	450	120	33	45	27	93	SD 530	22230 CK + H 3130	FRB 10/270	2	
140	290	170	250	250	580	230	55	480	130	33	45	27	100	SD 532	22232 CK + H 3132	FRB 10/290	2	
150	310	180	270	270	620	250	60	510	140	36	50	30	106	SD 534	22234 CK + H 3134	FRB 10/310	2	
160	320	190	280	280	650	260	60	540	150	36	50	30	106	SD 536	22236 CK + H 3136	FRB 10/320	2	
170	340	200	290	290	700	280	65	570	160	40	55	33	112	SD 538	22238 CK + H 3138	FRB 10/340	2	
180	360	210	300	300	740	290	65	610	170	40	55	33	118	SD 540	22240 CK + H 3140	FRB 10/360	2	
200	400	240	330	320	820	320	70	680	190	42	62	36	128	SD 544	22244 CK + H 3144	FRB 10/400	2	
220	440	260	340	330	880	330	85	740	200	45	65	39	140	SD 548	22248 CK + H 3148	FRB 10/440	2	
240	480	280	370	360	940	360	85	790	210	45	65	39	150	SD 552	22252 CK + H 3152	FRB 10/480	2	
260	500	300	390	380	990	380	100	830	230	52	77	45	150	SD 556	22256 CK + H 3156	FRB 10/500	2	
280	540	325	410	400	1060	400	100	890	250	52	77	45	160	SD 560	22260 CK + H 3160	FRB 10/540	2	
300	580	355	440	430	1110	430	110	930	270	56	85	48	170	SD 564	22264 CK + H 3164	FRB 10/580	2	
135	320	190	280	280	650	260	60	540	150	36	50	30	118	SD 630	22330 CK + H 2330	FRB 10/320	1	
140	340	200	290	290	700	280	65	570	160	40	55	33	124	SD 632	22332 CK + H 2332	FRB 10/340	1	
150	360	210	300	300	740	290	65	610	170	40	55	33	130	SD 634	22334 CK + H 2334	FRB 10/360	1	
160	380	225	320	320	780	310	70	640	180	42	62	36	136	SD 636	22336 CK + H 2336	FRB 10/380	1	
170	400	240	330	330	820	320	70	680	190	42	62	36	142	SD 638	22338 CK + H 2338	FRB 10/400	1	
180	420	250	350	350	860	340	85	710	200	45	65	39	148	SD 640	22340 CK + H 2340	FRB 10/420	1	
200	460	280	360	360	920	350	85	770	210	45	65	39	155	SD 644	22344 CL + H 2344	FRB 10/460	1	
220	500	300	390	390	990	380	100	830	230	52	77	45	165	SD 648	22348 CK + H 2348	FRB 10/500	1	
240	540	325	410	410	1060	400	100	890	250	52	77	45	175	SD 652	22352 CK + H 2352	FRB 10/540	1	
260	580	355	440	440	1110	430	110	930	270	56	85	48	185	SD 656	22356 CK + H 2356	FRB 10/580	1	



PLUMMER BLOCKS FOR BEARINGS WITH ADAPTER SLEEVE

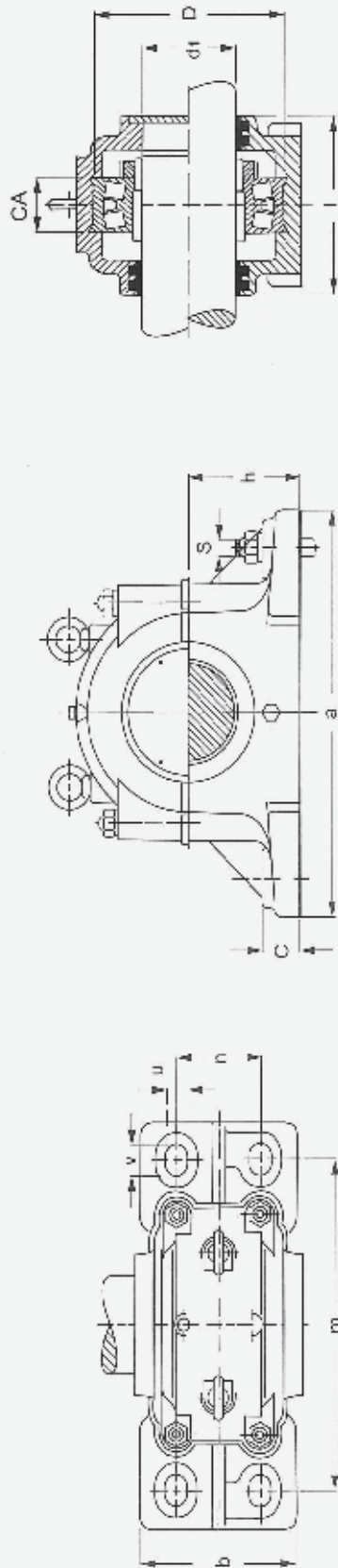


Series SD 3200 TS

Shaft Dia. mm	Dimensions For metric shafts-Millimetres										Housing with sealing collars		Bearing with adapter sleeve		Appropriate locating rings		Qty. O-rings
	A	A ₁	A ₂	A ₃	H	H ₁	H ₂	L	J	J ₁	G	GA	Designation	Designation	Designation	Designation	
150	260	210	270	375	190	80	560	400	120	24	130	130	SD 3234 TS	23234 CK + H 2334	FRB 10/310	2	530 X 4
160	260	210	270	375	190	80	560	480	120	24	132	132	SD 3236 TS	23236 CK + H 2336	FRB 10/320	2	560 X 4
170	280	230	290	410	210	85	610	510	130	30	140	140	SD 3238 TS	23238 CK + H 2338	FRB 10/340	2	590 X 4
180	290	240	300	435	220	90	640	540	140	30	148	148	SD 3240 TS	23240 CK + H 2340	FRB 10/360	2	620 X 4
200	310	260	320	475	240	95	700	600	150	30	164	164	SD 3244 TS	23244 CK + H 2344	FRB 10/400	2	680 X 4
220	320	280	330	515	260	100	770	650	160	36	180	180	SD 3248 TS	23248 CK + H 2348	FRB 10/440	2	750 X 4
240	350	310	360	590	300	110	830	710	190	36	194	194	SD 3252 TS	23252 CK + H 2352	FRB 10/480	2	810 X 4
260	350	310	360	590	300	110	830	710	190	36	196	196	SD 3256 TS	23256 CK + H 2356	FRB 10/500	2	870 X 4
280	370	330	380	630	320	115	880	750	200	36	212	212	SD 3260 TS	23260 CK + H 3260	FRB 10/540	2	940 X 4
300	400	360	410	675	340	120	950	810	220	36	228	228	SD 3264 TS	23264 CK + H 3264	FRB 10/580	2	1000 X 4
320	400	360	410	715	360	120	1040	870	220	36	244	244	SD 3268 TS	23268 CK + H 3268	FRB 10/620	2	1060 X 4
340	430	390	440	755	380	125	1120	950	240	42	252	252	SD 3272 TS	23272 CK + H 3272	FRB 10/650	2	1130 X 4
360	460	420	470	810	410	130	1170	1000	260	42	260	260	SD 3276 TS	23276 CK + H 3276	FRB 10/680	2	1190 X 4



PLUMMER BLOCKS FOR BEARINGS WITH ADAPTER SLEEVE

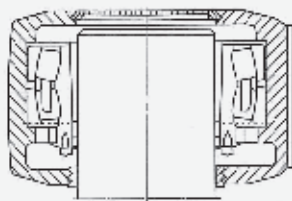
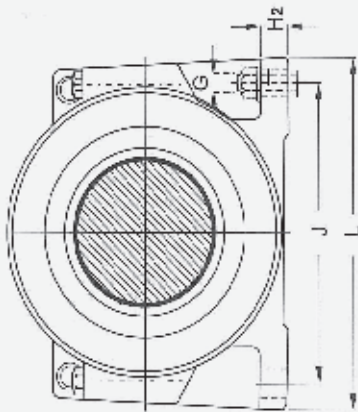
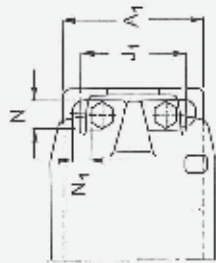
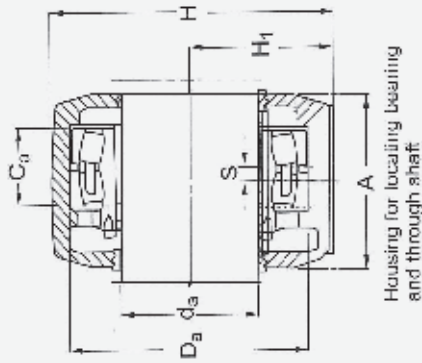


Series SD 3300

Shaft Dia. d ₁ mm	Dimensions mm																	Housing Designation	Bearing and adapter sleeve Designations	Locating ring(s) to be ordered separately) Designations	Qty.
	D	d ₂	f	a	b	c	m	n	p	q	r	s	t	u	v	w	x				
150	260	160	235	540	190	50	450	110	28	38	M 24	77	SD 3334	23034 CK + H 3034	FRB 10/260	1					
160	280	170	250	560	200	55	470	120	32	42	M 30	84	SD 3336	23036 CK + H 3036	FRB 10/280	1					
170	290	170	260	580	220	55	480	130	32	42	M 30	85	SD 3338	23038 CK + H 3038	FRB 10/290	1					
180	310	180	270	620	230	60	510	140	32	52	M 30	92	SD 3340	23040 CK + H 3040	FRB 10/310	1					
200	340	200	290	700	260	65	570	160	35	55	M 30	100	SD 3344	23044 CK + H 3044	FRB 10/340	1					
220	360	210	300	740	270	65	610	170	35	55	M 30	102	SD 3348	23048 CK + H 3048	FRB 10/360	1					
240	400	240	330	820	300	70	680	190	40	60	M 36	114	SD 3352	23052 CK + H 3052	FRB 10/400	1					
260	420	250	350	860	320	85	710	200	42	62	M 36	116	SD 3356	23056 CK + H 3056	FRB 10/420	1					
280	460	280	360	920	330	85	770	210	42	62	M 36	128	SD 3360	23060 CK + H 3060	FRB 10/460	1					
300	480	280	370	940	340	85	790	210	42	62	M 36	131	SD 3364	23064 CK + H 3064	FRB 10/480	1					
320	520	310	400	1020	370	100	860	230	48	68	M 42	143	SD 3368	23068 CK + H 3068	FRB 10/520	1					
340	540	325	410	1060	390	100	890	250	48	68	M 42	144	SD 3372	23072 CK + H 3072	FRB 10/540	1					
360	580	340	440	1080	390	100	900	260	48	68	M 42	145	SD 3376	23076 CK + H 3076	FRB 10/580	1					



PLUMMER BLOCKS FOR BEARINGS WITH ADAPTER SLEEVE



1) Housing for non-locating bearing and shaft end

Series SDJC 3100

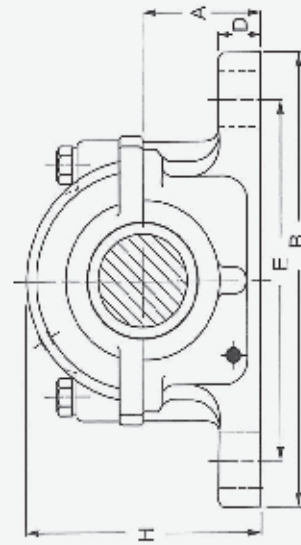
Shaft Dia. mm.	Housing Dimensions													Designations			
	A	A ₁	C ₁	D _a	H	H ₁	H ₂	J ₁	L	N	N ₁	S	G	Through shaft Locating bearing	Non-locating bearing	Appropriate bearing	Adapter sleeve
320	410	350	190	580	705	360	70	240	830	68	52	30	42	SDJC 3168 FTS	SDJC 3168 LTS	23168 CCK/W33	OH 3168 H
340	410	350	192	600	705	360	70	240	830	68	52	30	42	SDJC 3172 FTS	SDJC 3172 LTS	23172 CAK/W33	OH 3172 H
360	450	380	194	620	765	390	75	280	880	68	52	35	42	SDJC 3176 FTS	SDJC 3176 LTS	23176 CAK/W33	OH 3176 H
380	450	380	200	650	765	390	75	280	880	68	52	35	42	SDJC 3180 FTS	SDJC 3180 LTS	23180 CAK/W33	OH 3180 H
400	480	400	224	700	855	440	80	280	940	68	52	35	42	SDJC 3184 FTS	SDJC 3184 LTS	23184 CAK/W33	OH 3184 H
410	480	400	226	720	855	440	80	280	940	68	52	35	42	SDJC 3188 FTS	SDJC 3188 LTS	23188 CAK/W33	OH 3188 H
430	520	440	240	760	920	470	80	310	1040	80	60	35	48	SDJC 3192 FTS	SDJC 3192 LTS	23192 CAK/W33	OH 3192 H
450	520	440	248	790	920	470	80	310	1040	80	60	35	48	SDJC 3196 FTS	SDJC 3196 LTS	23196 CAK/W33	OH 3196 H

Note: 1) The bearing seating in housing for non locating bearings is 20 mm wider dimension C₂

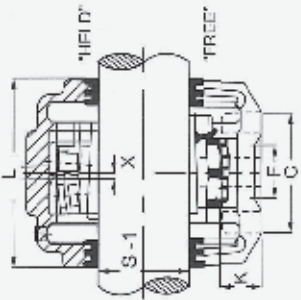
2) Housings for shaft ends with one end cover carry the designation suffix A, e.g. SDJC 3168 AFTS and SDJC 3168 ALTS respectively



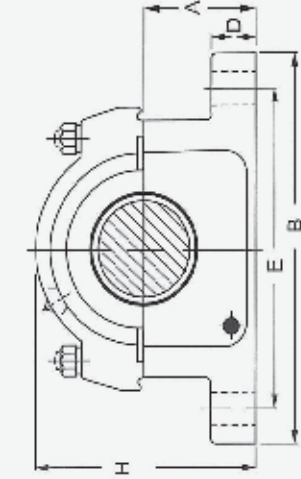
PLUMMER BLOCKS FOR BEARINGS WITH ADAPTER SLEEVE



SAF 509 - 517 Inclusive
SAF 609 - 613 Inclusive
TWO - BOLT CAP DESIGN



SAF 516 - 644 Inclusive
SAF 615 - 640 Inclusive
FOUR - BOLT CAP DESIGN



Series SAF 500 and SAF 600

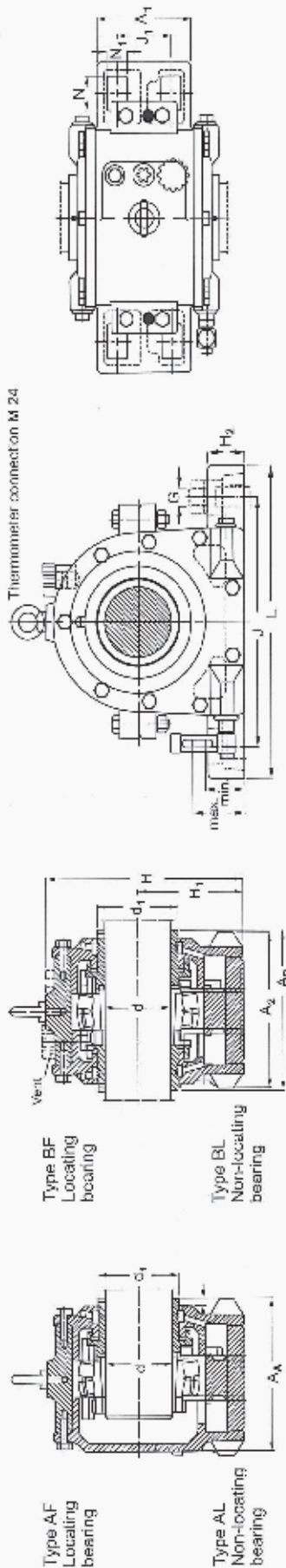
Pillow Block Housing Designation	Shaft Dia.		E										Bolts (No. Reqd.)		Bearing Designation	Adapter Assembly Designation	Triple Seal Ring Designation (2 Reqd.)	Stab Ring Designation (1 Reqd.)
	Inch	mm.	S-1	A	B	C	D	Max.	Min.	F	H	K	L	X				
SAF 509	1 ⁷ / ₁₆	36.51	57.2	209.6	60.3	20.6	177.8	158.8	-	111.1	24.6	92.1	2.90	(2) 1/2	22209 CCK/W33	SNW 9	LER 17	85/6
SAF 510	1 ¹¹ / ₁₆	42.86	63.5	209.6	60.3	23.8	177.8	165.1	-	120.6	27.8	92.1	3.38	(2) 1/2	22210 CCK/W33	SNW 10	LER 20	90/10
SAF 511	1 ¹⁵ / ₁₆	49.21	69.8	244.5	69.8	23.8	200.0	187.3	-	133.4	30.3	98.4	2.90	(2) 5/8	22211 CCK/W33	SNW 11	LER 24	100/6
SAF 513	2 ³ / ₁₆	55.56	76.2	279.4	79.4	25.4	241.3	208.4	50.8	150.8	27.8	114.3	3.99	(2) 5/8, (4) 1/2	22213 CCK/W33	SNW 13	LER 29	120/10
SAF 515	2 ⁷ / ₁₆	61.91	82.6	285.8	79.4	28.6	244.5	219.1	47.6	161.9	28.6	120.6	3.00	(2) 5/8, (4) 1/2	22215 CCK/W33	SNW 15	LER 37	130/10
SAF 516	2 ¹¹ / ₁₆	68.26	88.9	330.2	88.9	30.7	279.4	244.5	54.0	174.6	31.8	123.8	4.75	(2) 3/4, (4) 5/8	22216 CCK/W33	SNW 16	LER 44	140/10
SAF 517	2 ¹⁵ / ₁₆	74.61	95.2	330.2	88.0	31.8	279.4	250.8	54.0	185.7	34.9	127.0	4.75	(2) 3/4, (4) 5/8	22217 CCK/W33	SNW 17	LER 53	150/10
SAF 518	3 ¹ / ₁₆	80.96	101.6	349.2	98.4	41.3	295.3	263.5	54.0	196.8	38.1	146.0	4.75	(2) 3/4, (4) 5/8	22218 CCK/W33	SNW 18	LER 188	160/10
SAF 520	3 ⁷ / ₁₆	87.31	114.3	387.4	111.1	44.4	333.4	295.3	60.3	222.2	42.1	155.6	4.75	(2) 1/2, (4) 3/4	22220 CCK/W33	SNW 20	LER 102	180/10
SAF 522	3 ¹⁵ / ₁₆	100.01	125.4	419.1	120.6	50.8	368.3	320.7	69.8	244.5	45.2	165.1	4.75	(4) 3/4	22222 CCK/W33	SNW 22	LER 109	200/10
SAF 524	4 ⁷ / ₁₆	106.36	133.4	419.1	120.6	54.0	368.3	336.6	69.8	260.4	46.8	187.3	4.75	(4) 3/4	22224 CCK/W33	SNW 24	LER 113	215/10
SAF 526	4 ¹¹ / ₁₆	112.71	152.4	466.7	130.2	60.3	406.4	371.5	82.6	292.1	59.5	203.2	4.75	(4) 3/8	22226 CCK/W33	SNW 26	LER 114	230/10
SAF 528	4 ¹⁵ / ₁₆	125.41	152.4	511.2	149.2	60.3	435.0	406.4	85.7	298.4	51.6	193.7	4.75	(2) 1	22228 CCK/W33	SNW 28	LER 122	250/10
SAF 530	5 ¹ / ₁₆	131.76	160.3	539.8	158.8	63.5	463.6	431.8	95.2	317.5	50.8	212.7	4.75	(4) 1	22230 CCK/W33	SNW 30	LER 125	270/10
SAF 532	5 ⁷ / ₁₆	138.11	160.9	558.8	158.8	66.7	489.0	441.3	95.2	338.1	52.4	222.2	4.75	(4) 1	22232 CCK/W33	SNW 32	LER 130	290/10

Pillow Block Housing Designation	Shaft Dia.			E										Static Oil Level					Bolts (No. Req'd.)			Bearing		Lock-nut		Lock-washer		Stab Ring	
	S-1	mm.		A	B	C	D	Max.	Min.	F	H	K	L	X	mm.	mm.	mm.	mm.	mm.	mm.	mm.	Inches	Designation	Designation	Designation	Designation	Designation	Designation	Designation
		inch	mm.																										
SAF 240	8 ⁵ / ₁₆	222.08	74 ³ / ₁₆	193.08	209.6	749.3	203.2	95.7	635.0	571.5	127.0	419.0	62.7	285.8	(4)+1 ¹ / ₄	22240 CC/W33	AN 40	W 40	SR 360/10										
SAF 244	9 ⁹ / ₁₆	242.89	8 ⁷ / ₁₀	211.14	241.3	831.8	222.2	95.2	708.0	628.6	133.4	473.0	79.4	304.8	(4)+1 ¹ / ₂	22244 CC/W33	AN 44	W 44	SR 400/8.5										
SAF 308	1 ¹⁵ / ₁₆	49.21	1 ¹ / ₁₆	36.51	63.5	209.6	60.3	25.4	177.8	185.1	--	122.2	30.2	101.6	(2)+1 ¹ / ₂	22308 CC/W33	N 08	W 08	SR 90/10										
SAF 309	2 ¹ / ₁₀	53.98	1 ⁹ / ₁₆	42.86	69.8	244.5	69.8	25.4	200.0	187.3	--	134.9	32.5	108.0	(2)+ ⁵ / ₈	22309 CC/W33	N 09	W 09	SR 100/10										
SAF 310	2 ³ / ₁₀	60.32	1 ¹ / ₈	47.62	76.2	269.9	69.8	28.6	228.6	196.8	--	147.6	34.9	117.5	(2)+ ⁵ / ₈	22310 CC/W33	N 10	W 10	SR 110/10										
SAF 311	2 ⁹ / ₁₆	65.09	2 ¹ / ₁₆	52.39	82.6	279.4	79.4	30.2	241.3	206.4	50.8	157.2	36.5	127.0	(2)+ ⁵ / ₁₆ , (4)+1 ¹ / ₂	22311 CC/W33	N 11	W 11	SR 120/10										
SAF 312	2 ⁷ / ₈	73.02	2 ¹ / ₄	57.15	82.6	285.8	79.4	30.2	244.5	219.1	47.6	161.9	33.3	133.4	(2)+ ⁵ / ₈ , (4)+1 ¹ / ₂	22312 CC/W33	N 12	W 12	SR 130/10										
SAF 313	3 ⁷ / ₁₆	77.79	2 ¹ / ₁₀	61.91	88.9	330.2	88.9	31.8	279.4	244.5	54.0	176.2	35.7	136.5	(2)+ ³ / ₄ , (4)+ ⁵ / ₈	22313 CC/W33	N 13	W 13	SR 140/8.5										
SAF 314	3 ¹ / ₄	82.55	2 ³ / ₈	66.68	95.2	330.2	88.9	31.8	279.4	250.8	54.0	187.3	37.3	136.5	(2)+ ³ / ₄ , (4)+ ⁵ / ₈	22314 CC/W33	N 14	W 14	SR 150/10										
SAF 315	3 ⁷ / ₈	87.31	2 ¹³ / ₁₆	71.44	101.6	349.2	96.4	33.3	295.3	263.5	54.0	198.4	40.5	158.8	(2)+ ³ / ₄ , (4)+ ⁵ / ₈	22315 CC/W33	AN 15	W 15	SR 160/10										
SAF 316	3 ⁵ / ₈	92.08	3	76.20	108.0	362.0	96.4	33.3	320.7	269.9	54.0	209.6	42.9	165.1	(2)+ ³ / ₄ , (4)+ ⁵ / ₈	22316 CC/W33	AN 16	W 16	SR 170/10										
SAF 317	3 ¹⁵ / ₁₆	100.01	3 ⁷ / ₁₆	80.96	114.3	387.4	111.1	44.4	333.4	295.3	60.3	222.2	44.4	171.4	(2)+ ⁷ / ₁₆ , (4)+ ³ / ₄	22317 CC/W33	AN 17	W 17	SR 180/10										
SAF 318	4 ¹ / ₈	104.78	3 ³ / ₈	85.72	120.6	393.7	111.1	50.8	342.9	304.8	57.2	233.4	47.6	174.6	(4)+ ³ / ₄	22318 CC/W33	AN 18	W 18	SR 190/9.5										
SAF 320	4 ¹ / ₂	114.30	3 ¹³ / ₁₆	96.84	139.4	419.1	120.6	54.0	368.3	336.6	69.8	260.4	51.6	187.3	(4)+ ³ / ₄	22320 CC/W33	AN 20	W 20	SR 215/9.5										
SAF 322	4 ⁷ / ₈	123.82	4 ⁷ / ₁₆	106.36	152.4	466.7	130.2	60.3	406.4	371.5	82.6	282.1	61.1	203.2	(4)+7/8	22322 CC/W33	AN 22	W 22	SR 240/9.5										
SAF 324	5 ⁵ / ₁₆	134.94	4 ⁹ / ₁₆	115.89	160.3	539.8	158.8	63.5	463.6	431.8	95.2	317.5	60.3	212.7	(4)+1	22324 CC/W33	AN 24	W 24	SR 260/9.5										
SAF 326	5 ⁷ / ₁₆	149.22	4 ¹⁵ / ₁₆	125.41	169.9	559.5	158.8	66.7	489.0	441.3	95.2	338.1	61.9	222.2	(4)+1	22326 CC/W33	AN 26	W 26	SR 280/9.5										
SAF 328	6 ¹ / ₄	158.75	5 ⁷ / ₁₆	134.94	179.4	628.6	171.4	69.8	549.3	492.1	108.0	360.4	65.1	238.1	(4)+1	22328 CC/W33	AN 28	W 28	SR 300/9.5										
SAF 330	6 ⁵ / ₈	168.28	5 ⁷ / ₄	146.05	190.5	679.4	181.0	78.2	600.1	530.2	117.5	377.8	66.7	247.6	(4)+1	22330 CC/W33	AN 30	W 30	SR 320/9.5										
SAF 332	7	177.80	6 ¹ / ₁₀	153.99	200.0	711.2	190.5	79.4	619.1	549.3	114.3	398.5	68.3	273.0	(4)+1 ¹ / ₄	22332 CC/W33	AN 32	W 32	SR 340/9.5										
SAF 334	7 ⁷ / ₁₆	188.91	6 ⁷ / ₁₆	163.61	209.6	740.3	203.2	85.7	636.0	571.5	127.0	419.1	69.8	266.8	(4)+1 ¹ / ₄	22334 CC/W33	AN 34	W 34	SR 360/10										
SAF 336	7 ¹³ / ₁₆	198.44	6 ⁷ / ₈	174.62	225.4	793.7	209.5	85.7	676.2	609.6	133.3	469.9	85.7	265.8	(4)+1 ¹ / ₄	22336 CC/W33	AN 36	W 36	SR 380/10										
SAF 338	8 ³ / ₈	212.72	7 ¹ / ₈	184.15	241.3	831.8	222.2	95.2	708.0	628.6	133.4	473.1	85.7	304.8	(4)+1 ¹ / ₈	22338 CC/W33	AN 38	W 38	SR 400/10										
SAF 340	8 ³ / ₄	222.25	7 ⁵ / ₈	193.68	250.8	869.9	228.6	95.2	749.3	666.7	139.7	517.5	95.2	311.1	(4)+1 ¹ / ₂	22340 CC/W33	AN 40	W 40	SR 420/10										

Note: * HELIX Bearing is offset 3¹/₁₆" in relation to housing centrelines.



PLUMMER BLOCKS FOR BEARINGS WITH ADAPTER SLEEVE



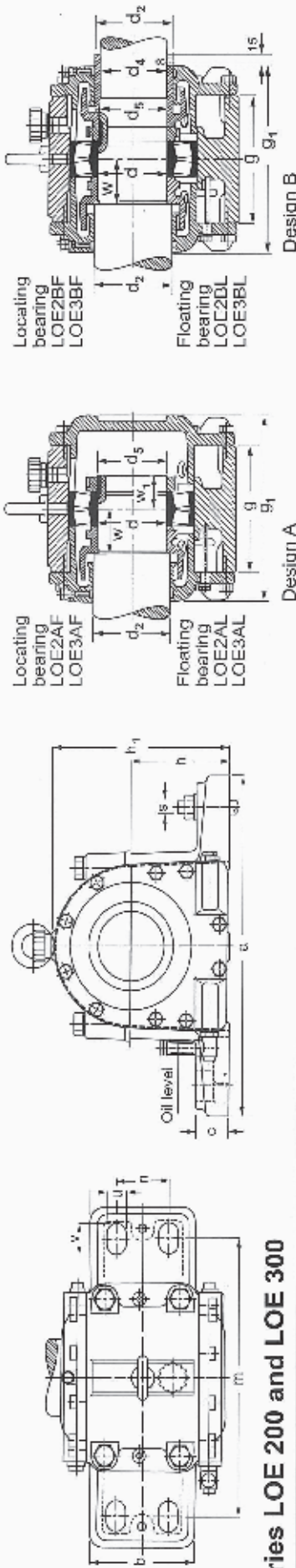
Series SOFN 500 and SOFN 600

Shaft Dia.	Housing Designations		Housing Designation													Bearing Designation		Adapter sleeve Designation		Oil level			
	A _A	A _B	A ₁	A ₂	G	H	H ₁	H ₂	H ₃	J	J ₁	L	N	N ₁	N ₂	N ₃	d ₁	d ₂	Designation	Designation	Max.	Min.	
mm.	mm.	mm.	mm.	mm.	mm.	mm.	mm.	mm.	mm.	mm.	mm.	mm.	mm.	mm.	mm.	mm.	mm.	mm.	mm.	mm.	mm.	mm.	mm.
100	216	229	14b	216	M 24	290	160	50	347	75	420	45	28	120	SOFN 522	22222 CCK	H 322	77	50				
110	270	290	170	265	M 30	335	190	65	415	100	500	45	35	130	SOFN 622	22322 CCK	H 2322	95	67				
	258	276	170	245	M 24	315	170	55	347	90	420	45	28	135	SOFN 524	22224 CCK	H 3124	80	60				
	285.5	305	180	265	M 30	375	200	65	450	115	540	50	35	140	SOFN 624	22324 CCK	H 2324	100	65				
	255	270	180	260	M 24	335	180	60	377	100	450	45	28	145	SOFN 526	22226 CCK	H 3126	85	60				
	300	320	205	285	M 30	405	215	65	470	120	560	50	35	150	SOFN 626	22326 CCK	H 2326	105	70				
125	265	280	190	265	M 30	355	190	65	415	100	500	45	35	160	SOFN 528	22228 CCK	H 3128	85	60				
	320	340	220	300	M 30	425	230	80	510	120	630	60	35	165	SOFN 628	22328 CCK	H 2328	115	70				
135	265	280	190	265	M 30	375	200	65	450	115	540	50	35	170	SOFN 530	22230 CCK	H 3130	90	60				
	335	350	240	320	M 30	455	245	75	545	150	650	65	35	175	SOFN 630	22330 CCK	H 2330	120	75				
140	298	316	205	280	M 30	405	215	65	470	120	560	50	35	178	SOFN 532	22232 CCK	H 3132	95	65				
	350	370	250	335	M 36	480	260	85	590	150	770	70	42	180	SOFN 632	22332 CCK	H 2332	125	80				
150	330	350	230	310	M 30	440	235	70	515	130	610	55	35	195	SOFN 534	22234 CCK	H 3134	105	75				
	350	370	260	350	M 36	510	275	85	600	160	730	70	42	197	SOFN 634	22334 CCK	H 2334	130	85				
160	340	360	240	320	M 30	455	245	75	545	150	650	65	35	205	SOFN 536	22236 CCK	H 3136	115	80				
	384.5	404	280	370	M 36	565	305	95	670	180	820	80	42	210	SOFN 636	22336 CCK	H 2336	155	90				
170	350	370	250	335	M 36	480	260	85	590	150	770	70	42	220	SOFN 538	22238 CCK	H 3138	120	85				
	358	378	260	350	M 36	510	275	85	600	160	730	70	42	227	SOFN 640	22240 CCK	H 3140	125	85				
200	384.5	404	280	370	M 36	565	305	95	670	180	820	80	42	255	SOFN 544	22244 CCK	H 3144 A	140	85				
220	400	420	290	380	M 36	625	340	100	740	190	900	80	42	270	SOFN 548	22248 CCK	H 3148 A	155	110				

Housings are designed for oil bath lubrication.



PLUMMER BLOCKS FOR BEARINGS WITH CYLINDRICAL BORE

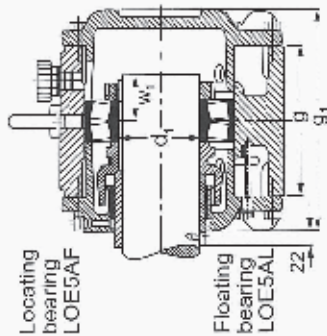
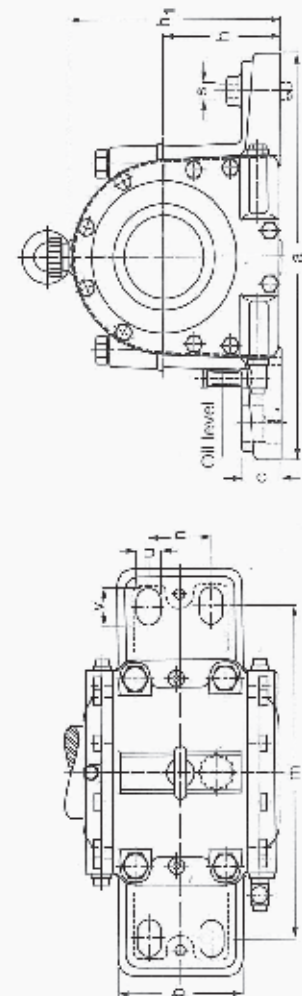


Series LOE 200 and LOE 300

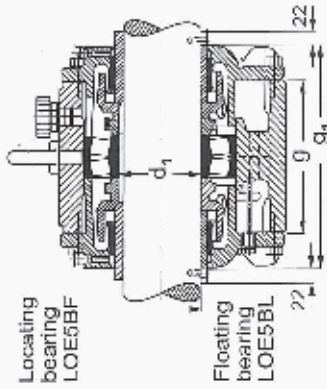
Shaft	Dimensions																Housing	Bearing	Lock-nut	Lock-washer
	d	d ₂	d _a	a	b	c	g	g _f	h	h ₁	m	n	s	u	v	Designation				
85	90	82	410	150	48	160	225	135	240	340	80	M 70	25	35	LOE 217	22217	KM 17	MB 17		
90	95	87	410	160	48	160	225	135	245	340	80	M 20	25	35	LOE 218	22218	KM 18	MB 18		
95	100	92	490	160	50	170	250	150	270	400	80	M 24	30	45	LOE 219	22219	KM 19	MB 19		
100	110	97	490	160	50	170	250	150	270	400	80	M 24	30	45	LOE 220	22220	KM 20	MB 20		
110	116	107	510	165	50	175	250	165	300	420	80	M 24	30	45	LOE 222	22222	KM 22	MB 22		
120	126	117	550	165	55	175	250	175	320	440	80	M 30	36	50	LOE 224	22224	KM 24	MB 24		
130	136	127	570	175	65	185	260	190	345	480	90	M 30	36	50	LOE 226	22226	KM 26	MB 26		
140	150	137	570	175	65	180	260	190	355	480	100	M 30	36	50	LOE 228	22228	KM 28	MB 28		
150	156	147	660	190	70	200	275	220	395	530	100	M 36	42	60	LOE 230	22230	KM 30	MB 30		
160	170	155	660	200	70	210	290	220	400	530	110	M 36	42	60	LOE 232	22232	KM 32	MB 32		
170	176	165	710	200	85	210	300	260	460	580	110	M 36	42	60	LOE 234	22234	KM 34	MB 34		
180	190	175	710	200	85	210	300	260	465	580	110	M 36	42	60	LOE 236	22236	KM 36	MB 36		
190	196	185	820	240	90	250	350	270	495	670	130	M 42	48	70	LOE 238	22238	KM 38	MB 38		
200	210	195	830	240	90	260	360	280	510	670	130	M 42	48	70	LOE 240	22240	KM 40	MB 40		
220	230	212	880	240	105	280	380	310	565	720	130	M 42	48	70	LOE 244	22244	HM 44 T	MB 44		
240	260	235	980	280	120	300	400	340	615	820	165	M 42	48	70	LOE 248	22248	HM 48 I	MB 48		
50	55	47	350	125	40	135	210	115	205	290	75	M 16	20	30	LOE 310	22310	KM 10	MB 10		
60	65	57	370	130	45	140	220	125	220	310	80	M 16	20	30	LOE 312	22312	KM 12	MB 12		
70	75	67	410	150	48	160	225	135	240	340	80	M 20	25	35	LOE 314	22314	KM 14	MB 14		
80	85	77	490	160	50	170	250	150	270	400	80	M 24	30	45	LOE 316	22316	KM 16	MB 16		
90	95	87	500	165	55	175	250	175	305	420	80	M 24	30	45	LOE 318	22318	KM 18	MB 18		
100	106	97	560	165	55	175	250	175	320	440	80	M 30	36	50	LOE 320	22320	KM 20	MB 20		
110	120	107	570	180	65	190	270	180	335	460	95	M 30	36	50	LOE 322	22322	KM 22	MB 22		
120	126	117	660	200	75	210	300	220	380	530	110	M 36	42	60	LOE 324	22324	KM 24	MB 24		
130	140	127	660	200	80	220	315	235	420	530	110	M 36	42	60	LOE 326	22326	KM 26	MB 26		
140	146	137	710	220	85	230	325	260	450	580	125	M 36	42	60	LOE 328	22328	KM 28	MB 28		
150	160	147	760	200	85	240	335	265	485	630	125	M 36	42	60	LOE 330	22330	KM 30	MB 30		
160	166	155	820	240	90	250	350	270	485	670	130	M 42	48	70	LOE 332	22332	KM 32	MB 32		
170	180	165	830	240	90	255	350	280	510	670	130	M 42	48	70	LOE 334	22334	KM 34	MB 34		
180	190	175	840	240	90	260	360	290	530	680	130	M 42	48	70	LOE 336	22336	KM 36	MB 36		



PLUMMER BLOCKS FOR BEARINGS WITH ADAPTER SLEEVE



Design A



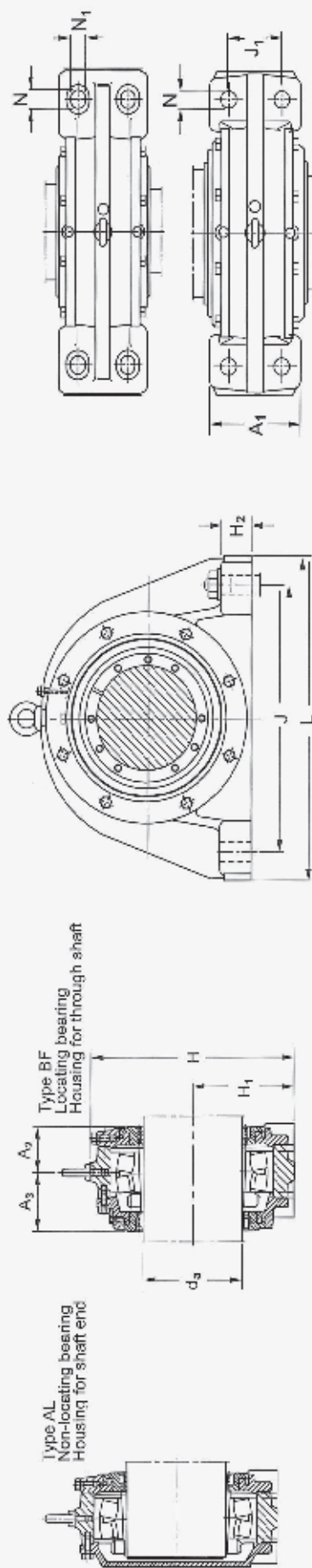
Design B

Series LOE 500 and LOE 600

Shaft d ₁	Dimensions													Housing Designation	Bearing Designation	Adapter sleeve
	a	b	c	g	g ₁	h	h ₁	m	n	s	u	v	Designation			
75	410	150	48	160	247	135	240	340	80	M 20	25	35	LOE 517	22217 ESK	H 317	
80	410	150	48	160	247	135	245	340	80	M 20	25	35	LOE 518	22218 ESK	H 318	
85	490	160	50	170	272	150	270	400	80	M 24	30	45	LOE 519	22219 ESK	H 319	
90	490	160	50	170	272	150	270	400	80	M 24	30	45	LOE 520	22220 ESK	H 320	
100	510	165	50	175	272	165	300	420	80	M 24	30	45	LOE 522	22222 ESK	H 322	
110	550	165	55	175	272	175	320	440	80	M 30	36	50	LOE 524	22224 ESK	H 3124	
115	570	175	65	185	282	190	345	480	90	M 30	36	50	LOE 526	22226 ESL	H 3126	
125	570	175	65	180	282	190	355	460	100	M 30	36	50	LOE 528	22228 ESK	H 3128	
135	660	190	70	200	297	220	395	530	100	M 36	42	60	LOE 530	22230 ESK	H 3130	
140	660	200	70	210	312	220	400	530	110	M 36	42	60	LOE 532	22232 ESK	H 3132	
150	710	200	85	210	322	260	460	580	110	M 36	42	60	LOE 534	22234 ESK	H 3134	
160	710	200	85	210	322	260	465	580	110	M 36	42	60	LOE 536	22236 EK	H 3136	
170	820	240	90	250	372	270	485	670	130	M 42	48	70	LOE 538	22238 K	H 3138	
180	830	240	90	260	368	280	510	670	130	M 42	48	70	LOE 540	22240 BK	H 3140	
200	880	240	105	280	402	310	565	720	130	M 42	48	70	LOE 544	22244 BK	H 3144	
220	980	280	120	300	422	340	625	820	165	M 42	48	70	LOE 548	22248 BK	H 3148	
60	410	150	48	160	247	135	240	340	80	M 20	25	35	LOE 614	22314 ESK	II 2314	
70	490	160	50	170	272	150	270	400	80	M 24	30	45	LOE 616	22316 ESK	H 2316	
80	500	165	55	175	272	175	305	420	80	M 24	30	45	LOE 618	22318 ESK	H 2318	
90	550	165	55	175	272	175	320	440	80	M 30	36	50	LOE 620	22320 ESK	H 2320	
100	570	180	65	190	292	180	335	460	95	M 30	36	50	LOE 622	22322 ESK	H 2322	
110	660	200	75	210	322	220	390	530	110	M 36	42	60	LOE 624	22324 ESK	H 2324	
115	680	200	80	220	337	235	420	530	110	M 36	42	60	LOE 626	22326 ESK	H 2326	
125	710	220	85	230	347	260	450	580	125	M 36	42	60	LOE 628	22328 ESK	H 2328	
135	760	200	85	240	357	265	465	630	125	M 36	42	60	LOE 630	22330 EK	H 2330	
140	820	240	90	250	372	270	485	670	130	M 42	48	70	LOE 632	22332 K	H 2332	
150	830	240	90	255	372	280	510	670	130	M 42	48	70	LOE 634	22334 K	II 2334	
160	840	240	90	260	382	290	530	680	130	M 42	48	70	LOE 636	22336 K	II 2336	



PLUMMER BLOCKS FOR BEARINGS WITH ADAPTER SLEEVE



Series SBDS

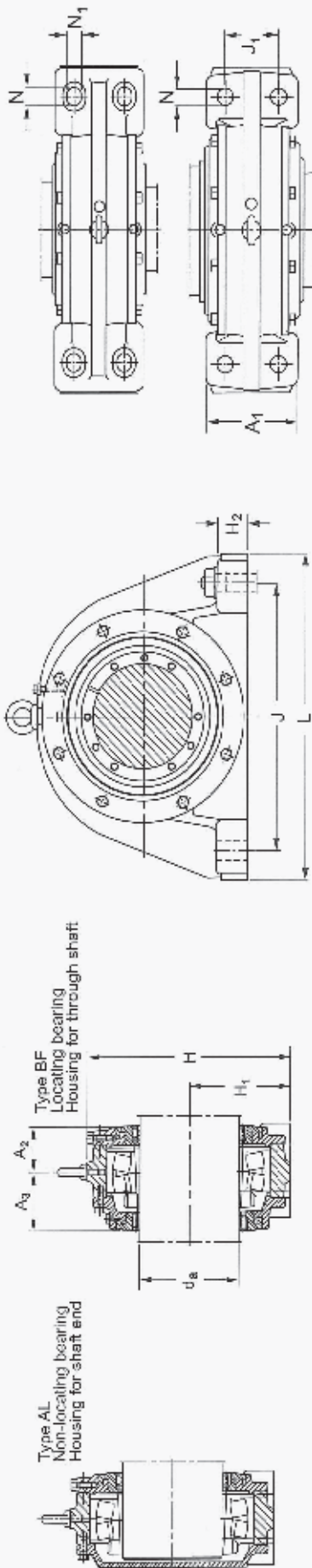
Housing		Dimensions										Shaft		Aproprite bearing with Adapter sleeve		
Designations (In cast steel)	d _a mm	A ₁	A ₂	A ₃	A ₄	A ₅	A ₆	H	H ₁	H ₂	J	J ₁	L	N	N ₁	Designation
SBDS 2220	90	110	70	85	230	115	35	300	60	370	24	24	22220 CK + H 320			
SBDS 3122	100	150	81	102	270	130	40	300	80	400	25	25	23122 CK + H 3122			
SBDS 2222	120	78	90	260	130	38	340	60	410	24	24	22222 CK + H 322				
SBDS 3222	130	91	103	285	140	42	350	70	440	35	30	23222 CK + H 2322				
SBDS 3024	110	63	83	230	115	35	300	60	370	24	24	23024 CK + H 3024				
SBDS 3124	140	76	93	285	140	40	330	80	410	35	25	23124 CK + H 3124				
SBDS 2224	130	80.5	95.5	275	140	40	360	70	430	28	28	22224 CK/W 33 + H 3124				
SBDS 3224	140	83	108	305	150	42	370	75	470	35	30	23224 CK/W 33 + H 2324				
SBDS 3026	115	68	88	260	130	38	340	60	410	24	24	23026 CK + H 3026				
SBDS 3126	140	80	100	295	145	40	350	80	430	35	25	23126 CK/W 33 + H 3126				
SBDS 2226	140	88	98	290	145	42	370	80	455	28	28	22226 CK + H 3126				
SBDS 3226	150	103	108	325	160	45	400	85	500	40	30	23226 CK/W 33 + H 2326				
SBDS 3028	125	68	88	275	140	40	360	70	430	28	28	23028 CK/W 33 + H 3028				
SBDS 3128	150	85	110	315	155	45	380	85	470	35	25	23128 CK/W 33 + H 3128				
SBDS 2228	160	94	104	330	165	50	420	95	510	35	35	22228 CK/W 33 + H 3128				
SBDS 3228	160	108	118	350	170	50	430	85	530	40	30	23228 CK/W 33 + H 2328				
SBDS 3030	135	73	94	290	145	42	370	80	455	28	28	23030 CK/W 33 + H 3030				
SBDS 3130	170	93	113	345	170	60	450	110	580	45	35	23130 CK/W 33 + H 3130				
SBDS 2230	170	98	108	360	180	52	450	100	540	35	35	22230 CK/W 33 + H 3130				
SBDS 3230	170	113	123	375	180	54	450	90	550	45	35	23230 CK/W 33 + H 2330				

SBDS 3032	140	150	78	98	310	155	45	390	90	480	--	28	23032 CK/W 33 + H 3032
SBDS 3132		200	96	123	368	180	55	430	110	540	40	30	23132 CK/W 33 + H 3132
SBDS 2232		180	101	116	370	185	55	480	105	570	--	35	22232 CK/W 33 + H 3132
SBDS 3232		180	118	133	395	190	58	490	105	600	45	35	23232 CK/W 33 + H 2332
SBDS 3034	150	160	76	103	330	165	50	420	95	510	--	35	23034 CK/W 33 + H 3034
SBDS 3134		200	113	136	395	190	60	470	110	570	45	35	23134 CK/W 33 + H 3134
SBDS 2234		190	112.5	127.5	400	200	60	510	110	600	--	35	22234 CK/W 33 + H 3134
SBDS 3234		200	128	143	410	200	62	525	110	640	45	35	23234 CK/W 33 + H 2334
SBDS 3036	160	170	83	108	360	180	52	450	100	540	--	35	23036 CK/W 33 + H 3036
SBDS 3136		200	118	138	410	200	60	490	105	600	45	35	23136 CK/W 33 + H 3136
SBDS 2236		200	118	133	430	215	65	540	115	640	--	42	22236 CK/W 33 + H 3136
SBDS 3236		210	133	148	430	210	65	550	120	660	45	35	23236 CK/W 33 + H 2336
SBDS 3038	170	180	93	118	370	185	55	480	105	570	--	35	23038 CK/W 33 + H 3038
SBDS 3138		210	123	143	435	210	65	550	120	660	45	35	23138 CK/W 33 + H 3138
SBDS 2238		200	118	133	430	215	65	540	115	640	--	42	22238 CK/W 33 + H 3138
SBDS 3238		220	138	153	455	220	75	560	120	710	45	35	23238 CK/W 33 + H 2338
SBDS 3040	180	190	97	122	400	200	60	510	110	600	--	35	23040 CK/W 33 + H 3040
SBDS 3140		220	127	147	455	220	85	560	120	710	52	42	23140 CK/W 33 + H 3140
SBDS 2240		210	122	134.5	450	225	70	560	120	680	--	42	22240 CK/W 33 + H 3140
SBDS 3240		240	130	156	475	235	75	640	140	780	52	42	23240 CK/W 33 + H 2340
SBDS 3044	200	200	102	137	430	215	65	540	115	640	--	42	23044 CK/W 33 + H 3044
SBDS 3144		230	135	160	485	235	75	640	140	780	52	42	23144 CK/W 33 + H 3144
SBDS 2244		220	124.5	159.5	500	250	75	600	130	770	--	42	22244 CK/W 33 + H 3144 A
SBDS 3244		250	148	183	525	260	80	700	140	850	52	42	23244 CK/W 33 + H 2344 A
SBDS 3048	220	210	102	142	450	225	70	560	120	680	--	42	23048 CK/W 33 + H 3048
SBDS 3148		250	152	182	550	270	80	720	140	890	52	42	23148 CK/W 33 + H 3148 A
SBDS 2248		250	130	165	570	285	85	690	150	820	--	42	22248 CK/W 33 + H 3148 A
SBDS 3248		250	148	188	590	290	90	750	140	900	52	42	23248 CK/W 33 + H 2348 A
SBDS 3052	240	220	107	147	500	250	75	600	130	720	--	42	23052 CK/W 33 + H 3052
SBDS 3152		250	152	187	590	290	90	750	140	900	52	42	23152 CK/W 33 + H 3152 A
SBDS 2252		260	145	182.5	590	295	90	730	160	860	--	42	22252 CK/W 33 + H 3152 A
SBDS 3252		290	167	208	625	310	95	800	160	960	65	42	23252 CAK/W 33 + H 2352 A
SBDS 3056	260	240	117	157	520	260	80	630	140	760	--	42	23056 CK/W 33 + H 3056
SBDS 3156		260	157	197	690	290	90	750	140	900	65	42	23156 CK/W 33 + H 3156 A
SBDS 2256		270	152	192	630	315	95	770	170	900	--	42	22256 K/W 33 + H 3156
SBDS 3256		300	178	218	645	320	100	840	170	1000	65	42	23256 CAK/W 33 + H 2356 A
SBDS 3060	280	250	122	167	570	285	85	690	150	820	--	42	23060 CK/W 33 + H 3060
SBDS 3160		300	162	207	655	320	100	840	170	1000	65	42	23160 CAK/W 33 + H 3160
SBDS 2260		280	160	191	660	330	100	820	180	960	--	42	22260 K/W 33 + H 3160
SBDS 3260		330	182	222	705	350	105	920	180	1100	75	56	23260 CAK/W 33 + H 3260

SBD series bearing housings are also called BND series bearing housings.



PLUMMER BLOCKS FOR BEARINGS WITH ADAPTER SLEEVE

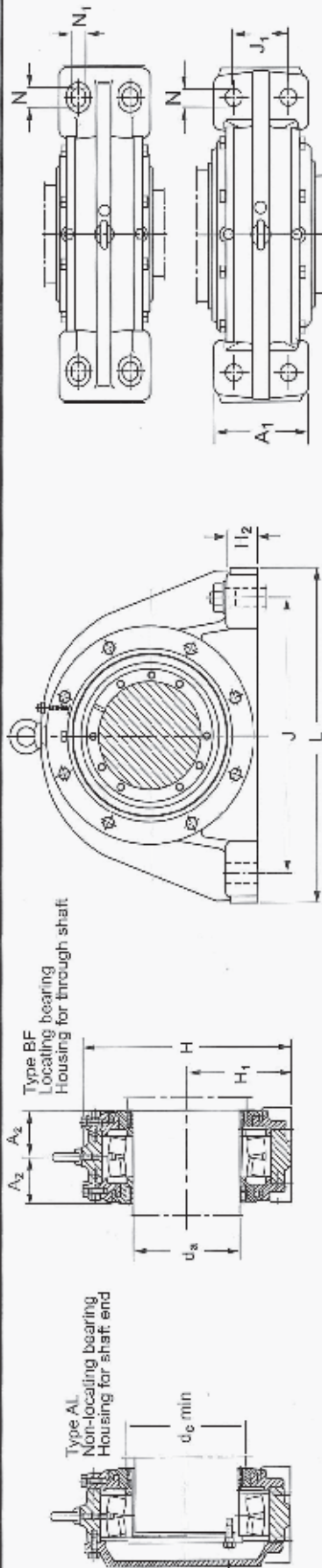


Series SBDS

Housing		Shaft		Dimensions											Appropriate bearing with Adapter sleeve	
Designations (In cast steel)	d_a mm	A_1	A_2	A_3	A_4	A_5	H	H_1	H_2	J	J_1	L	N	N_1	Designation	
SBDS 3064	300	260	122	172	590	295	90	730	160	860	42	23064	CAK/W 33 + H 3064			
SBDS 3164	300	177	212	702	350	100	940	160	1150	65	42	23164	CAK/W 33 + H 3164			
SBDS 2264	320	175	282	720	360	110	900	200	1060	56	56	22264	K/W 33 + H 3164			
SBDS 3204	360	192	237	760	370	115	960	200	1150	75	56	23264	CAK/W 33 + H 3264			
SBDS 3068	320	270	132	177	630	315	95	770	170	900	42	23068	CAK/W 33 + H 3068			
SBDS 3168	360	197	242	735	370	115	960	200	1150	75	56	23168	CAK/W 33 + H 3168			
SBDS 3268	380	202	272	810	390	125	980	200	1200	75	60	23268	CAK/W 33 + H 3268			
SBDS 3072	340	280	137	182	660	330	100	620	180	960	42	23072	CAK/W 33 + H 3072			
SBDS 3172	370	197	247	760	380	115	1000	200	1200	75	56	23172	CAK/W 33 + H 3172			
SBDS 3272	400	227	282	825	410	130	1040	210	1280	80	68	23272	CAK/W 33 + H 3272			
SBDS 3076	360	300	137	187	680	340	105	840	190	1000	56	23076	CAK/W 33 + H 3076			
SBDS 3176	380	202	257	790	390	125	1000	200	1200	75	60	23176	CAK/W 33 + H 3176			
SBDS 3276	405	232	297	880	425	135	1100	225	1350	85	68	23276	CAK/W 33 + H 3276			
SBDS 3080	380	320	142	202	720	360	110	900	200	1060	56	23080	CAK/W 33 + H 3080			
SBDS 3180	400	197	262	845	410	130	1040	210	1200	80	68	23180	CAK/W 33 + H 3180			
SBDS 3280	450	242	307	905	450	145	1160	240	1430	85	68	23280	CAK/W 33 + H 3280			
SBDS 3084	400	340	147	202	750	375	115	940	210	1100	56	23084	CAK/W 33 + H 3084			
SBDS 3184	420	212	289	900	450	135	1100	210	1350	85	68	23184	CAK/W 33 + H 3184			
SBDS 3284	470	252	317	955	470	150	1220	255	1500	90	72	23284	CAK/W 33 + H 3284			



PLUMMER BLOCKS FOR BEARINGS WITH CYLINDRICAL BORE



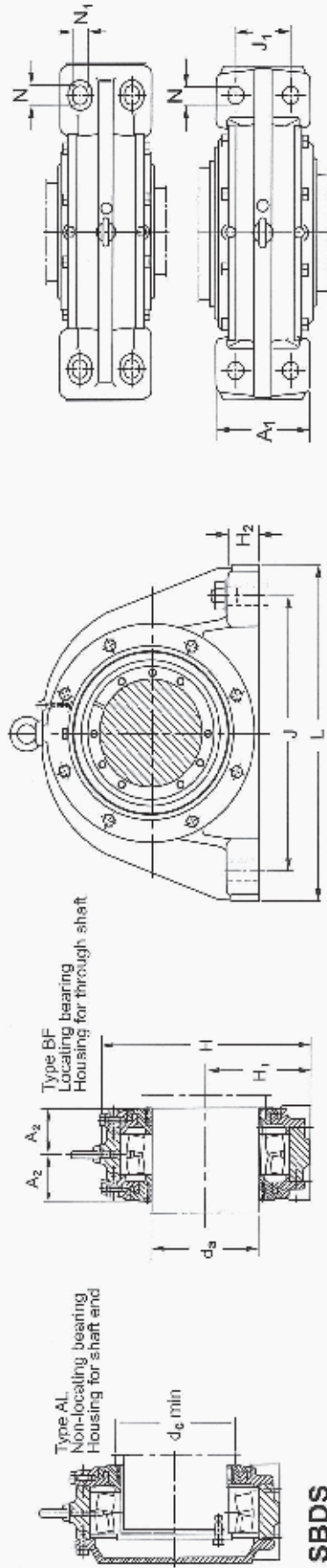
Series SBDS

Housing		Shaft		Dimensions										Bearings	
Designations (In cast steel)	d_a mm	A_1	A_2	H	H_1	H_2 mm	J	J_1	L	N	N_1	d_c mm	Designation		
SBDS 2220	100	110	70	230	115	35	300	60	370	-	24	115	22220 C		
SBDS 3122	110	150	81	270	130	40	300	80	400	35	25	125	23122 C		
SBDS 2222	120	120	78	260	130	38	340	80	410	-	24	125	22222 C		
SBDS 3222	130	130	91	285	140	42	350	70	440	35	30	125	23222 C		
SBDS 3024	120	110	63	230	115	35	300	60	370	-	24	135	23024 C		
SBDS 3124	140	140	76	285	140	40	330	80	410	35	25	135	23124 C		
SBDS 2224	130	130	80.5	275	140	40	360	70	430	-	28	135	22224 C/W 33		
SBDS 3224	140	140	93	305	150	42	370	75	470	35	30	135	23224 C/W 33		
SBDS 3026	130	120	68	260	130	38	340	60	410	-	24	150	23026 C		
SBDS 3126	140	140	80	295	145	40	350	80	430	35	25	150	23126 C/W 33		
SBDS 2226	140	140	88	290	145	42	370	80	455	-	28	150	22226 C/W 33		
SBDS 3226	150	150	103	325	160	45	400	85	500	40	30	150	23226 C/W 33		
SBDS 3028	140	130	68	275	140	40	360	70	430	-	28	160	23028 C/W 33		
SBDS 3128	150	150	85	315	155	45	380	85	470	35	25	160	23128 C/W 33		
SBDS 2228	160	160	94	330	165	50	420	95	510	-	35	160	22228 C/W 33		
SBDS 3228	160	160	108	350	170	50	430	85	530	40	30	160	23228 C/W 33		
SBDS 3030	150	140	78	290	145	42	370	80	455	-	28	170	23030 C/W 33		
SBDS 3130	170	200	93	345	170	60	450	110	580	45	35	170	23130 C/W 33		
SBDS 2230	170	170	98	360	180	52	450	100	540	-	35	170	22230 C/W 33		
SBDS 3230	170	170	113	375	180	54	450	90	550	45	35	170	23230 C/W 33		

SBD series bearing housings are also called BND series bearing housings.



PLUMMER BLOCKS FOR BEARINGS WITH SYLINDRICAL BORE



Series SBDS

Housing		Dimensions										Bearings	
Designations (In cast steel)	d_b mm.	A1	A2	H	H1	H2	J	J1	L	N	N1	d_c min.	Designation
SBDS 3032	160	150	78	310	155	45	390	90	480	-	28	185	23032 C/W 33
SBDS 3132		200	98	368	180	55	430	110	540	40	30	185	23132 C/W 33
SBDS 2232		180	101	370	185	55	480	105	570	-	35	185	22232 C/W 33
SBDS 3232		180	118	395	190	58	480	105	600	45	35	185	23232 C/W 33
SBDS 3034	170	160	78	330	165	50	420	95	510	-	35	195	23034 C/W 33
SBDS 3134		200	113	395	190	60	470	110	570	45	35	195	23134 C/W 33
SBDS 2234		190	112.5	400	200	60	510	110	600	-	35	195	22234 C/W 33
SBDS 3234		200	128	410	200	62	525	110	640	45	35	195	23234 C/W 33
SBDS 3036	180	170	88	360	180	52	450	100	540	-	35	205	23036 C/W 33
SBDS 3136		200	118	410	200	60	490	105	600	45	36	205	23136 C/W 33
SBDS 2236		200	118	430	215	65	540	115	640	-	42	205	22236 C/W 33
SBDS 3236		210	133	430	210	65	550	120	680	45	35	205	23236 C/W 33
SBDS 3038	190	180	93	370	185	55	480	105	570	-	35	215	23038 C/W 33
SBDS 3138		210	123	435	210	65	550	120	680	45	35	215	23138 C/W 33
SBDS 2238		200	118	430	215	65	540	115	640	-	42	215	22238 C/W 33
SBDS 3238		220	138	455	220	75	560	120	710	45	35	215	23238 C/W 33
SBDS 3040	200	190	97	400	200	60	510	110	600	-	35	225	23040 C/W 33
SBDS 3140		220	127	455	220	85	560	120	710	52	42	225	23140 C/W 33
SBDS 2240		210	122	450	225	70	580	120	680	-	42	225	22240 C/W 33
SBDS 3240		240	138	475	235	75	640	140	780	52	42	225	23240 C/W 33
SBDS 3044	220	200	102	430	215	65	540	115	640	-	42	245	23044 C/W 33
SBDS 3144		230	135	485	235	75	640	140	780	52	42	245	23144 C/W 33
SBDS 2244		220	124.5	500	250	75	600	130	720	-	42	245	22244 C/W 33

Housing	Dimensions											Bearing	
	Shaft		Housing										Designation
Designations (In cast steel)	d _a mm.	A ₁	A ₂	H	H ₁	H ₂	J	J ₁	L	N	N ₁	d _c min.	
SBDS 3048	240	210	102	450	225	70	560	120	680	-	42	265	23048 CAW 33
SBDS 3148	250	250	152	550	270	80	720	140	890	52	42	265	23148 CAW 33
SBDS 2248	250	250	130	570	285	85	690	150	820	-	42	265	22248 CAW 33
SBDS 3248	250	250	148	590	290	90	750	140	900	52	42	265	23248 CAW 33
SBDS 3052	260	220	107	500	250	75	600	130	720	-	42	285	23052 CAW 33
SBDS 3152	250	250	152	590	290	90	750	140	900	52	42	285	23152 CAW 33
SBDS 2252	260	260	145	590	295	90	730	160	860	-	42	285	22252 CAW 33
SBDS 3252	290	290	167	625	310	95	800	160	960	65	42	285	23252 CAW 33
SBDS 3056	280	240	117	520	260	80	630	140	760	-	42	305	23056 CAW 33
SBDS 3156	250	250	157	590	290	90	750	140	900	65	42	305	23156 CAW 33
SBDS 2256	270	270	152	630	315	95	770	170	900	-	42	305	22256 CAW 33
SBDS 3256	300	300	178	645	320	100	840	170	1000	65	42	305	23256 CAW 33
SBDS 3060	300	250	122	570	285	85	690	150	820	-	42	325	23060 CAW 33
SBDS 3160	300	300	162	655	320	100	840	170	1000	65	42	325	23160 CAW 33
SBDS 2260	280	280	160	680	330	100	820	180	960	-	42	325	22260 CAW 33
SBDS 3260	330	330	182	705	350	105	920	180	1100	75	56	325	23260 CAW 33
SBDS 3064	320	260	122	590	295	90	730	160	860	-	42	345	23064 CAW 33
SBDS 3164	300	300	177	702	350	100	940	160	1150	65	42	345	23164 CAW 33
SBDS 2264	320	320	175	720	360	110	900	200	1060	-	56	345	22264 CAW 33
SBDS 3264	360	360	192	760	370	115	980	200	1150	75	56	345	23264 CAW 33
SBDS 3068	340	270	132	630	315	95	770	170	900	-	42	365	23068 CAW 33
SBDS 3168	360	360	197	735	370	115	980	200	1150	75	56	365	23168 CAW 33
SBDS 3268	380	380	202	810	390	125	980	200	1200	75	60	365	23268 CAW 33
SBDS 3072	360	280	132	660	330	100	820	180	960	-	42	385	23072 CAW 33
SBDS 3172	370	370	197	760	380	115	1000	200	1200	75	56	385	23172 CAW 33
SBDS 3272	400	400	227	825	410	130	1040	210	1280	80	68	385	23272 CAW 33
SBDS 3076	380	300	137	680	340	105	840	190	1000	-	56	405	23076 CAW 33
SBDS 3176	380	380	202	790	390	125	1000	200	1200	75	56	405	23176 CAW 33
SBDS 3276	405	405	232	880	425	135	1100	225	1350	85	68	405	23276 CAW 33
SBDS 3080	400	320	142	720	360	110	900	200	1060	-	56	425	23080 CAW 33
SBDS 3180	400	400	197	845	410	130	1040	210	1280	80	60	425	23180 CAW 33
SBDS 3280	450	450	242	905	450	145	1160	240	1430	85	68	425	23280 CAW 33
SBDS 3084	420	340	147	750	375	115	940	210	1100	-	56	445	23084 CAW 33
SBDS 3184	420	420	212	900	450	135	1100	210	1350	85	68	445	23184 CAW 33
SBDS 3284	470	470	252	955	470	150	1220	255	1500	90	72	445	23284 CAW 33

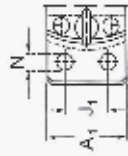
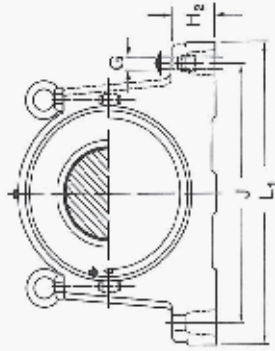
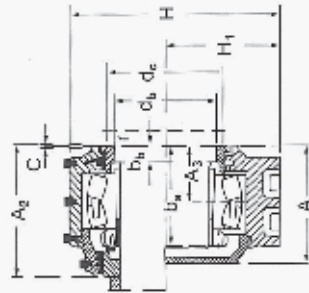
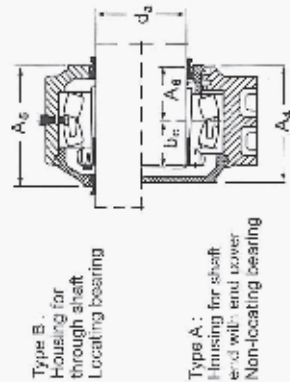
SBDS type bearing housings are designated as :-

SBDCmade of Grey Cast Iron
 SBDSmade of Cast Steel
 SBDDmade of S. G. Cast Iron

SBDS series Bearing Housings are a so called BND series Bearing Housings.



PLUMMER BLOCKS FOR BEARINGS WITH ADAPTER SLEEVE



Stepped cylindrical shaft

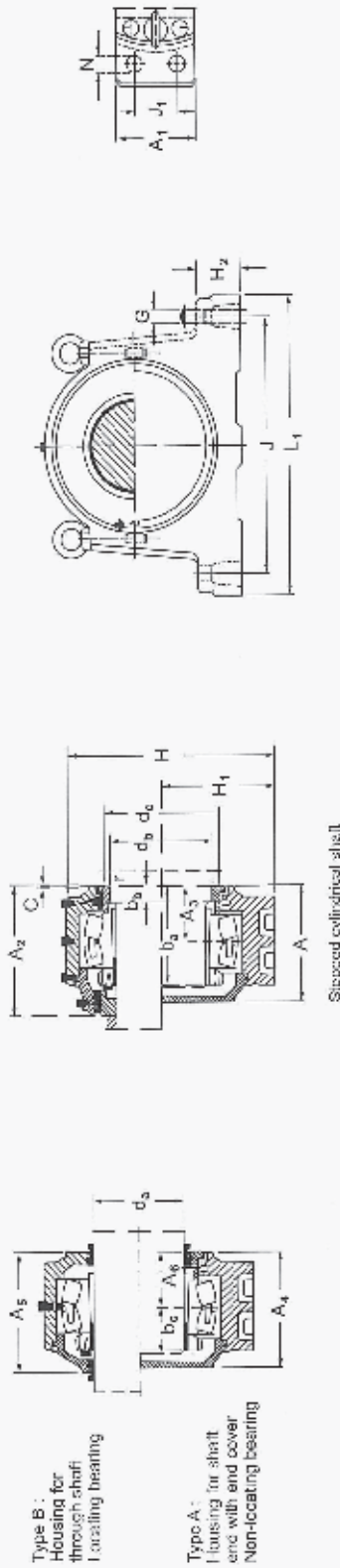
Series SDGC 2200, 2300, 3100 and 3200

Shaft dia mm	Housing Dimensions														Designations	Appropriate bearing	Adapter sleeve	Shaft seating, abutment and fillet Dimensions							
	A	A ₁	A ₂	A ₃	A ₄	A ₅	A ₆	C	H	H ₁	H ₂	J	J ₁ mm	L				N	G	db	dc	ba	bb	bc	r
125	222	165	258	110	219	237	107	6	385	210	85	500	90	590	35	30	SDGC 2328	22328 CCKW33	H 2328	142	150	188	40	78	2.5
135	237	180	272	117	234	251	114	6	410	225	90	510	100	600	35	30	SDGC 2330	22330 CCKW33	H 2330	152	160	200	44	83	2.5
140	253	195	288	125	250	266	122	6	440	240	95	580	105	690	42	36	SDGC 2332	22332 CCKW33	H 2332	162	175	213	48	88	4.0
150	197	140	232	97	194	212	94	6	387	210	85	490	70	580	28	24	SDGC 2234	22234 CCKW33	H 3134	172	185	172	38	75	4.0
222	165	258	110	219	237	107	6	385	210	85	500	90	590	35	30	SDGC 3234	23234 CCKW33	H 2334	172	180	196	38	88	2.5	
270	210	315	335	265	285	303	130	8	475	260	105	610	120	720	42	36	SDGC 2334	22334 CCKW33	H 2334	172	185	228	52	93	4.0
180	222	165	258	110	219	237	107	6	385	210	85	500	90	590	35	30	SDGC 3136	23136 CCKW33	H 3136	182	190	192	44	82	2.5
207	150	242	102	204	221	99	6	424	230	90	520	80	600	28	24	SDGC 2236	22236 CCKW33	H 3136	182	195	179	40	77	4.0	
237	180	272	117	234	251	114	6	410	225	90	510	100	600	35	30	SDGC 3236	23236 CCKW33	H 2336	182	190	207	42	90	2.5	
270	210	315	335	265	285	303	130	8	475	260	105	610	120	720	42	36	SDGC 2336	22336 CCKW33	H 2336	182	195	232	50	97	4.0
170	237	180	272	117	234	251	114	6	410	225	90	510	100	600	35	30	SDGC 3138	23138 CCKW33	H 3138	192	200	204	46	87	2.5
207	150	242	102	204	221	99	6	424	230	90	520	80	600	28	24	SDGC 2238	22238 CCKW33	H 3138	192	205	183	40	81	4.0	
253	195	288	125	250	266	122	6	440	240	95	580	105	690	42	36	SDGC 3238	23238 CCKW33	H 2338	192	205	220	45	95	4.0	
288	225	336	146	293	311	141	8	515	280	115	655	130	770	42	36	SDGC 2338	22338 CCKW33	H 2338	192	205	247	56	101	4.0	
180	197	140	232	97	194	212	94	6	387	210	85	490	70	580	28	24	SDGC 3040	23040 CCKW33	H 3040	202	215	174	40	77	4.0
253	195	288	125	250	266	122	6	440	240	95	580	105	690	42	36	SDGC 3140	23140 CCKW33	H 3140	202	215	217	48	92	4.0	
220	160	265	110	215	235	105	8	445	240	95	560	80	670	35	30	SDGC 2240	22240 CCKW33	H 3140	202	215	194	42	84	4.0	
270	210	315	335	265	285	303	130	8	475	260	105	610	120	720	42	36	SDGC 3240	23240 CCKW33	H2340	202	215	235	50	100	4.0
328	250	366	158	323	343	153	8	565	310	125	730	140	860	48	42	SDGC 2340	22340 CCKW33	H 2340	202	215	263	62	105	4.0	
200	207	150	242	102	204	221	99	6	424	230	90	520	80	600	28	24	SDGC 3044	23044 CCKW33	OH 3044	H 222	235	182	40	80	4.0
270	210	315	335	265	285	303	130	8	475	260	105	610	120	720	42	36	SDGC 3144	23144 CCKW33	OH 3144	H 222	235	235	52	100	4.0
233	180	270	113	228	246	108	8	500	270	110	620	80	710	35	30	SDGC 2244	22244 CCKW33	OH 3144	H 222	235	207	42	94	4.0	
298	225	336	146	293	311	141	8	515	280	115	655	130	770	42	36	SDGC 3244	23244 CCKW33	OH 2344	H 222	235	258	52	112	4.0	
330	250	370	160	323	343	153	10	585	320	130	750	145	880	48	42	SDGC 2344	22344 CCKW33	OH 2344	H 222	235	272	62	112	4.0	

220	220	160	265	110	215	235	105	8	445	240	95	560	80	670	35	30	SDGC 3048	23048	CKKW33	OH 3048 H242	255	195	45	85	4.0
	298	225	336	146	293	311	141	8	515	280	115	655	130	770	42	36	SDGC 3148	23148	CKKW33	OH 3148 H 242	255	252	58	106	4.0
	270	190	310	130	263	283	123	10	570	310	120	710	100	825	42	36	SDGC 2248	22248	CKKW33	OH 3140 H 242	255	232	50	102	4.0
	328	260	388	158	373	343	153	8	565	310	125	730	140	860	48	42	SDGC 3248	23248	CKKW33	OH 2348 H 242	255	280	54	122	4.0
	360	280	405	175	353	376	168	10	640	350	140	800	165	940	48	42	SDGC 2348	22348	CKKW33	OH 2348 H 242	255	295	68	120	4.0
240	233	160	270	113	228	246	108	8	500	270	110	620	80	710	35	30	SDGC 3052	23052	CKKW33	OH 3052 H 262	275	204	45	91	4.0
	328	250	366	158	323	343	153	8	565	310	125	730	140	860	48	42	SDGC 3152	23152	CKKW33	OH 3152 H 262	275	274	60	116	4.0
	280	200	320	135	273	293	128	10	592	320	130	735	105	855	42	36	SDGC 2252	22252	CKKW33	OH 3152 H 262	275	244	50	109	4.0
	330	260	370	160	323	343	153	10	585	320	130	750	145	880	48	42	SDGC 3252	23252	CKKW33	OH 2352 H 262	275	291	52	130	4.0
	384	305	428	186	377	399	179	10	695	380	155	900	170	1060	56	48	SDGC 2352	22352	CKKW33	OH 2352 H 262	275	312	72	126	4.0
280	244	165	282	116	239	261	111	8.5	520	280	115	635	80	730	35	30	SDGC 3056	23056	CKKW33	OH 3056 H 282	295	212	45	96	4.0
	330	250	370	160	323	343	153	10	585	320	130	750	145	880	48	42	SDGC 3156	23156	CKKW33	OH 3156 H 282	295	279	60	119	4.0
	290	210	335	140	283	306	133	10	646	350	140	780	110	900	42	36	SDGC 2256	22256	CKKW33	OH 3156 H 282	295	251	52	111	4.0
	360	280	405	175	353	376	168	10	640	350	140	800	165	940	48	42	SDGC 3256	23256	CKKW33	OH 2356 H 282	295	309	60	134	4.0
	420	340	465	200	412	432	192	11	750	410	165	940	195	1110	56	48	SDGC 2356	22356	CKKW33	OH 2356 H 282	295	334	80	134	6.0
280	270	190	310	130	263	283	123	10	570	310	120	710	100	825	42	36	SDGC 3060	23060	CKKW33	OH 3060 H 302	315	236	50	106	4.0
	360	280	405	175	353	376	168	10	640	350	140	800	165	940	48	42	SDGC 3160	23160	CKKW33	OH 3160 H 302	315	300	68	125	4.0
	299	220	344	144	292	314	137	10.5	665	360	145	840	100	970	48	42	SDGC 2260	22260	CKKW33	OH 3160 H 302	315	259	52	115	4.0
	384	305	428	186	377	399	179	10	695	380	155	900	170	1060	56	48	SDGC 3260	23260	CKKW33	OH 3260 H 302	315	327	64	141	4.0
300	280	200	320	135	273	293	128	10	592	320	130	735	105	855	42	36	SDGC 3064	23064	CKKW33	OH 3064 H 322	340	243	50	108	6.0
	384	305	428	186	377	399	179	10	695	380	155	900	170	1060	56	48	SDGC 3164	23164	CKKW33	OH 3164 H 322	340	321	68	135	6.0
	320	240	365	150	312	332	142	11	740	400	160	920	120	1060	56	48	SDGC 2264	22264	CKKW33	OH 3164 H 322	340	272	52	122	6.0
	420	340	465	200	412	432	192	11	750	410	165	940	195	1110	56	48	SDGC 3264	23264	CKKW33	OH 3264 H 322	340	351	68	151	6.0
320	290	210	335	140	283	306	133	10	646	350	140	780	110	900	42	36	SDGC 3068	23068	CKKW33	OH 3068 H 342	360	257	50	117	6.0
	420	340	465	200	412	432	192	11	750	410	165	940	195	1110	56	48	SDGC 3168	23168	CKKW33	OH 3168 H 342	360	355	74	155	6.0
	425	340	468	200	418	438	193	11	790	430	175	1010	195	1190	66	56	SDGC 3268	23268	CKKW33	OH 3268 H 342	360	372	62	172	6.0
340	288	220	344	144	292	314	137	10.5	665	360	145	840	110	970	48	42	SDGC 3072	23072	CKKW33	OH 3072 H 362	380	262	50	118	6.0
	420	340	465	200	412	432	192	11	750	410	165	940	195	1110	56	48	SDGC 3172	23172	CKKW33	OH 3172 H 362	380	360	74	160	6.0
	437	350	490	207	429	449	199	12	825	450	180	1040	200	1230	66	56	SDGC 3272	23272	CKKW33	OH 3272 H 362	380	387	64	180	6.0
360	309	230	354	149	302	324	142	10.5	685	370	150	870	110	1000	48	42	SDGC 3076	23076	CKKW33	OH 3076 H 382	400	270	54	121	6.0
	425	340	468	200	418	438	193	11	790	430	175	1010	195	1190	66	56	SDGC 3176	23176	CKKW33	OH 3176 H 382	400	363	74	163	6.0
	479	390	534	229	469	487	219	14	895	490	200	1110	225	1300	66	56	SDGC 3276	23276	CKKW33	OH 3276 H 382	400	415	76	186	6.0
380	320	240	365	150	312	332	142	11	740	400	160	920	120	1060	56	48	SDGC 3080	23080	CKKW33	OH 3080 H 402	420	282	55	132	6.0
	437	350	490	207	429	449	199	12	825	450	180	1040	200	1230	66	56	SDGC 3180	23180	CKKW33	OH 3180 H 402	420	375	75	168	6.0
	484	390	544	229	474	489	219	14	945	500	150	1160	225	1370	74	64	SDGC 3280	23280	CKKW33	OH 3280 H 402	420	425	76	196	6.0
400	325	240	368	150	318	338	143	11	760	410	165	960	120	1130	56	48	SDGC 3084	23084	CAKW33	OH 3084 H 422	420	283	55	133	6.0
	470	390	534	229	469	487	219	14	895	490	200	1110	225	1300	66	56	SDGC 3184	23184	CKW33	OH 3184 H 422	440	417	82	188	6.0
	508	420	575	243	496	511	231	16	1005	530	160	1270	240	1500	82	72x8	SDGC 3284	23284	CAKW33	OH 3284 H 422	440	455	76	212	6.0



PLUMMER BLOCKS FOR BEARINGS WITH ADAPTER SLEEVE



Series SDGC 2200, 2300, 3100 and 3200

Shaft dia mm	Housing Dimensions										Designations										Appropriate bearing					Adapter sleeve					Shaft seating, abutment and fillet Dimensions									
	A	A1	A2	A3	A4	A5	A6	C	H	H1	H2	J	J1	L	N	G	SDGC 3088	SDGC 3188	SDGC 3288	SDGC 3092	SDGC 3192	SDGC 3292	SDGC 3096	SDGC 3196	SDGC 3296	SDGC 30/500	SDGC 31/500	SDGC 32/500	SDGC 30/530	SDGC 31/530	SDGC 30/560	SDGC 31/560	db	dc	da	db	ba	bb	ra	rb
410	347	260	400	162	339	359	151	12	800	430	170	1000	130	1160	56	48	SDGC 3088	SDGC 3188	SDGC 3288	SDGC 3092	SDGC 3192	SDGC 3292	SDGC 3096	SDGC 3196	SDGC 3296	SDGC 30/500	SDGC 31/500	SDGC 32/500	SDGC 30/530	SDGC 31/530	SDGC 30/560	SDGC 31/560	480	480	307	55	145	6.0		
	484	330	544	229	474	489	219	14	945	500	150	1160	225	1370	74	64	SDGC 3188	SDGC 3288	SDGC 3092	SDGC 3192	SDGC 3292	SDGC 3096	SDGC 3196	SDGC 3296	SDGC 30/500	SDGC 31/500	SDGC 32/500	SDGC 30/530	SDGC 31/530	SDGC 30/560	SDGC 31/560	460	460	418	82	109	6.0			
	518	430	505	240	506	522	236	16	1045	550	165	1300	245	1530	82	72x6	SDGC 3288	SDGC 3092	SDGC 3192	SDGC 3292	SDGC 3096	SDGC 3196	SDGC 3296	SDGC 30/500	SDGC 31/500	SDGC 32/500	SDGC 30/530	SDGC 31/530	SDGC 30/560	SDGC 31/560	460	460	464	76	216	6.0				
430	369	280	421	174	359	377	164	14	835	450	180	1070	130	1250	66	56	SDGC 3092	SDGC 3192	SDGC 3292	SDGC 3096	SDGC 3196	SDGC 3296	SDGC 3096	SDGC 3196	SDGC 3296	SDGC 30/500	SDGC 31/500	SDGC 32/500	SDGC 30/530	SDGC 31/530	SDGC 30/560	SDGC 31/560	480	480	322	60	148	6.0		
	508	420	575	243	496	511	231	16	1005	530	160	1270	240	1500	82	72x6	SDGC 3192	SDGC 3292	SDGC 3096	SDGC 3196	SDGC 3296	SDGC 3096	SDGC 3196	SDGC 3296	SDGC 30/500	SDGC 31/500	SDGC 32/500	SDGC 30/530	SDGC 31/530	SDGC 30/560	SDGC 31/560	480	480	444	86	201	6.0			
	558	460	623	253	546	561	251	16	1095	580	175	1350	260	1580	82	72x6	SDGC 3292	SDGC 3096	SDGC 3196	SDGC 3296	SDGC 3096	SDGC 3196	SDGC 3296	SDGC 3096	SDGC 3196	SDGC 3296	SDGC 30/500	SDGC 31/500	SDGC 32/500	SDGC 30/530	SDGC 31/530	SDGC 30/560	SDGC 31/560	480	480	492	80	229	6.0	
450	379	290	434	179	369	387	169	14	855	460	185	1080	140	1260	66	56	SDGC 3096	SDGC 3196	SDGC 3296	SDGC 3096	SDGC 3196	SDGC 3296	SDGC 3096	SDGC 3196	SDGC 3296	SDGC 30/500	SDGC 31/500	SDGC 32/500	SDGC 30/530	SDGC 31/530	SDGC 30/560	SDGC 31/560	500	500	327	66	148	6.0		
	518	430	585	248	506	522	236	16	1045	550	165	1300	245	1530	82	72x6	SDGC 3196	SDGC 3296	SDGC 3096	SDGC 3196	SDGC 3296	SDGC 3096	SDGC 3196	SDGC 3296	SDGC 30/500	SDGC 31/500	SDGC 32/500	SDGC 30/530	SDGC 31/530	SDGC 30/560	SDGC 31/560	500	500	453	87	205	6.0			
	560	470	625	270	546	561	256	18	1130	600	180	1390	270	1620	82	72x6	SDGC 3296	SDGC 3096	SDGC 3196	SDGC 3296	SDGC 3096	SDGC 3196	SDGC 3296	SDGC 3096	SDGC 3196	SDGC 3296	SDGC 30/500	SDGC 31/500	SDGC 32/500	SDGC 30/530	SDGC 31/530	SDGC 30/560	SDGC 31/560	500	500	506	80	236	6.0	
470	384	290	444	179	374	389	169	14	865	460	190	1100	140	1280	66	56	SDGC 30/500	SDGC 31/500	SDGC 32/500	SDGC 30/530	SDGC 31/530	SDGC 32/500	SDGC 30/530	SDGC 31/530	SDGC 32/500	SDGC 30/500	SDGC 31/500	SDGC 32/500	SDGC 30/530	SDGC 31/530	SDGC 30/560	SDGC 31/560	520	520	336	64	157	6.0		
	558	460	623	263	546	561	251	16	1096	580	175	1350	260	1580	82	72x6	SDGC 31/500	SDGC 32/500	SDGC 30/530	SDGC 31/530	SDGC 32/500	SDGC 30/530	SDGC 31/530	SDGC 32/500	SDGC 30/530	SDGC 31/530	SDGC 32/500	SDGC 30/500	SDGC 31/500	SDGC 32/500	SDGC 30/530	SDGC 31/530	SDGC 30/560	SDGC 31/560	520	520	481	92	218	6.0
	605	500	680	285	591	596	271	18	1190	640	190	1420	300	1680	82	72x6	SDGC 32/500	SDGC 30/530	SDGC 31/530	SDGC 32/500	SDGC 30/530	SDGC 31/530	SDGC 32/500	SDGC 30/530	SDGC 31/530	SDGC 32/500	SDGC 30/530	SDGC 31/530	SDGC 32/500	SDGC 30/530	SDGC 31/530	SDGC 30/560	SDGC 31/560	520	520	539	82	254	6.0	
500	428	430	495	203	416	431	191	16	1045	550	165	1300	245	1530	82	72x6	SDGC 30/530	SDGC 31/530	SDGC 32/500	SDGC 30/530	SDGC 31/530	SDGC 32/500	SDGC 30/530	SDGC 31/530	SDGC 32/500	SDGC 30/530	SDGC 31/530	SDGC 32/500	SDGC 30/530	SDGC 31/530	SDGC 30/560	SDGC 31/560	550	550	370	75	167	6.0		
	560	470	625	270	546	561	256	18	1130	600	180	1390	270	1620	82	72x6	SDGC 31/530	SDGC 32/500	SDGC 30/560	SDGC 31/560	SDGC 32/500	SDGC 30/560	SDGC 31/560	SDGC 32/500	SDGC 30/560	SDGC 31/560	SDGC 32/500	SDGC 30/530	SDGC 31/530	SDGC 30/560	SDGC 31/560	550	550	492	94	222	6.0			
630	438	460	503	203	426	441	191	16	1095	580	175	1350	260	1580	82	72x6	SDGC 30/560	SDGC 31/560	SDGC 32/500	SDGC 30/560	SDGC 31/560	SDGC 32/500	SDGC 30/560	SDGC 31/560	SDGC 32/500	SDGC 30/560	SDGC 31/560	SDGC 32/500	SDGC 30/560	SDGC 31/560	SDGC 30/560	SDGC 31/560	590	590	382	75	179	19		
	605	500	660	285	591	596	271	18	1190	640	190	1420	300	1680	82	72x6	SDGC 31/560	SDGC 32/500	SDGC 30/560	SDGC 31/560	SDGC 32/500	SDGC 30/560	SDGC 31/560	SDGC 32/500	SDGC 30/560	SDGC 31/560	SDGC 32/500	SDGC 30/560	SDGC 31/560	SDGC 30/560	SDGC 31/560	590	590	517	100	232	10			



General Conversion Factors

Multiply	By	To Obtain	Multiply	By	To Obtain
Inch	25.4	Millimetres	Cubic Yards	0.7645	Cubic Metres
Inch	2.54	Centimetres	Cubic Feet	0.03704	Cubic Yards
Millimetres	0.03937	Inch	Cubic Yards	27	Cubic Feet
Centimetres	0.3937	Inch	Cubic Metres	1000	Litres
Feet	0.3048	Metres	Gallons	4.5461	Litres
Metres	3.2808	Feet	Litres	0.2197	Gallons
Yards	0.9144	Metres	Litres	61.02	Cubic Inches
Metres	1.0936	Yards	Litres	1000	Cubic Centimetres (C.C.)
Miles	1.6093	Kilometres	Ounce	28.3495	Grams
Kilometres	0.6214	Miles	Grams	0.03527	Ounces
Square Inches	645.16	Square Millimetres	Pounds	0.4536	Kilograms
Square Millimetres	0.00155	Square Inch	kilograms	2.2046	Pounds
Square Feet	0.0929	Square Metres	Cwt.	50.8023	Kilograms
Square Metres	10.7639	Square Feet	Kilograms	0.01968	Cwts.
Square Yards	0.8361	Square Metres	Tons	1016.5	Kilograms
Square Metres	10.7639	Square Feet	Tons	1.0165	Metric Tons
Acres	43560	Square Feet	Horse Power	33000	Foot-Lbs./Minute
Acres	4840	Square Yard	Horse Power	0.7457	Kilowatts
Acres	4047	Square Metres	Horse Power	745.4	Watts
Cubic Inch	16.3871	Cubic Centimetres	Quire	25	Sheets
Cubic Centimetres	0.06102	Cubic Feet	Cubic Inches	Ream	500 Sheets
Cubic Feet	0.02832	Cubic Metres	Temp. (°C) + 32	1.8	Temp. (°F)
Cubic Metres	35.3147	Cubic Feet	Temp. (°C) - 32	5/9	Temp. (°C)



Inch / Millimetres Conversion Table

Inch.	Millimetre	Inch.	Millimetre
1/64	0.016	33/64	0.516
1/32	0.031	17/32	0.531
3/64	0.047	35/64	0.547
1/16	0.063	9/16	0.563
5/64	0.078	37/64	0.578
3/32	0.094	19/32	0.594
7/64	0.109	39/64	0.609
1/8	0.125	5/8	0.625
9/64	0.141	41/64	0.641
5/32	0.156	21/32	0.656
11/64	0.172	43/64	0.672
3/16	0.188	11/16	0.688
13/64	0.203	45/64	0.703
7/32	0.219	23/32	0.719
15/64	0.234	47/64	0.734
1/4	0.250	3/4	0.750
17/64	0.266	49/64	0.766
9/32	0.281	25/32	0.781
19/64	0.297	51/64	0.797
5/16	0.313	13/16	0.813
21/64	0.328	53/64	0.828
11/32	0.334	27/32	0.844
23/64	0.359	55/64	0.859
3/8	0.375	7/8	0.875
25/64	0.391	57/64	0.891
13/32	0.406	29/32	0.906
27/64	0.422	59/64	0.922
7/16	0.438	15/16	0.938
29/64	0.453	61/64	0.953
15/32	0.469	31/32	0.969
31/64	0.484	63/64	0.984
1/2	0.500	1"	1.000



Important Notes

A series of horizontal dashed lines intended for handwritten notes.



Supplementary designations for Bearing Housings having additional features

Designation of Housing Bearing	Suffix
Housings with two holes drilled in feet.	Suffix MS 1
Housings with four drilled holes in feet.	Suffix MS 2
Housings drilled and tapped to accommodate a grease nipple.	Suffix N (e.g. SNA...N)
Housing having a grease escape valve.	Suffix V
Housings drilled and tapped to accommodate a grease nipple and having a drilled grease escape hole.	Suffix V 4
Housings for shaft end, non-locating bearing.	Suffix AL
Housings for shaft end, locating bearing.	Suffix AF
Housings for through shaft, non-locating bearing.	Suffix BL
Housings for through shaft, locating bearing.	Suffix BF
SAFS pillow blocks with 4 foundation bolt holes in the base.	Suffix 11

Apart from the bearing housings given in this publication, we can also manufacture special bearing housings as per Customers' Drawings and Specifications.